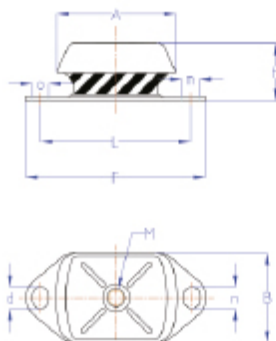


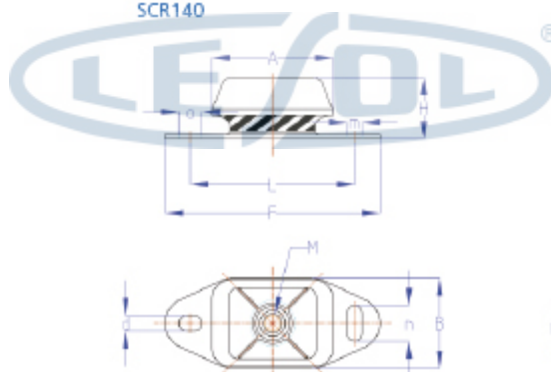
SOPORTES ELÁSTICOS**SOPORTE CAUCHO-METAL**SCR

REF / ART.NR	DIMENSIONES / DIMENSIONS ABMESSUNGEN												COMPRESION / COMPRESSION DRUCKBELASTUNG		GRÁFICO DE SELECCIÓN
	Sh	A	B	H	M	L	F	m	n	o	d	CARGA / LOAD CHARGE / LAST	FLECHA / DEFLECTION FLECHE / FEDERWEG		
	mm.												kg.	mm.	
SCR	SCR100	40	80	60	38	M12	100	120	11	14	11	14	35	4,0±1,0	
	SCR100	45	80	60	38	M12	100	120	11	14	11	14	45	4,0±1,0	
	SCR100	55	80	60	38	M12	100	120	11	14	11	14	70	4,0±1,0	
	SCR100	65	80	60	38	M12	100	120	11	14	11	14	100	4,0±1,0	
	SCR100	75	80	60	38	M12	100	120	11	14	11	14	180	4,0±1,0	
	SCR140	35	103,5	75	52	M16	140	186	13	30	20	13	80	5,0±1,0	
	SCR140	45	103,5	75	52	M16	140	186	13	30	20	13	110	5,0±1,0	
	SCR140	55	103,5	75	52	M16	140	186	13	30	20	13	160	5,0±1,0	
	SCR140	65	103,5	75	52	M16	140	186	13	30	20	13	275	5,0±1,0	
	SCR140	75	103,5	75	52	M16	140	186	13	30	20	13	500	5,0±1,0	
	SCR182	35	132	112	71	M20	182	230	18	30	26	18	225	6,0±1,0	
	SCR182	45	132	112	71	M20	182	230	18	30	26	18	400	6,0±1,0	
	SCR182	55	132	112	71	M20	182	230	18	30	26	18	700	6,0±1,0	
	SCR182	65	132	112	71	M20	182	230	18	30	26	18	800	6,0±1,0	
	SCR182	75	132	112	71	M20	182	230	18	30	26	18	1200	6,0±1,0	

SCR100



SCR140



SCR182

