

NPK[®]

Hydraulic Hammer



NPK[®]

a division of Nippon Pneumatic Mfg. Co. Ltd. Osaka Japan

www.npke.eu

GH-Series hydraulic hammers: More power and less noise



GH-1

GH-6



GH-7

GH-10

Unique gas charged piston action. The Power of NPK

Nitrogen gas: less recoil, more power

Main valve: only two moving parts

Piston: constant energy per blow

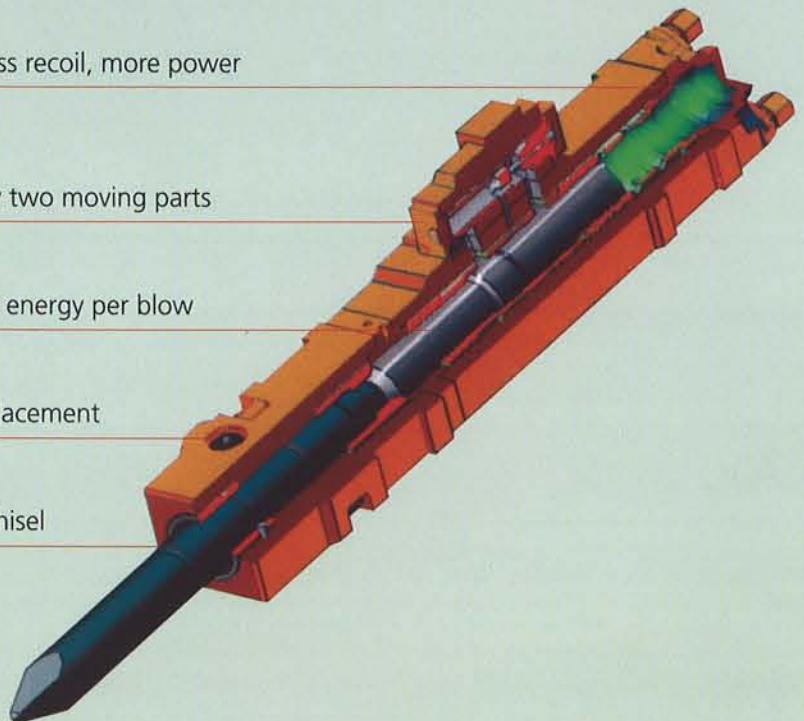
Rapid chisel replacement

Genuine NPK Chisel



GH-15

GH-30



ADVANTAGES

- New range of brackets which encloses the hammer in the best possible way: reduces sound and vibration.
- All models adaptable to underwater operation.
- Shock absorbing rubber cushions (from GH-7) absorbs vibration and protects integrity of excavator boom and arm.
- Designed with sealed gas (N₂) chamber - no rubber bladder accumulators.
- Constant energy per blow: Maintains high breakout force – not dependent upon blow rate.
- Rapid and easy chisel replacement: reduces downtime to a minimum.
- Replaceable tool bushings prevent wear to main chisel holder body and enhances the life of the breaker.
- Designed with automatic lubrication channeling which allows installation of lubrication system.

SHOCK ABSORBING CUSHION RUBBERS (FROM GH-7): LOW VIBRATION AND LOW NOISE.

The shock absorbing mounting brackets, utilize special heavy-duty rubber mounts to absorb shock, recoil and impulse vibration. This unique NPK feature minimizes machine wear and improves operator comfort for greater reliability and productivity.





TECHNICAL SPECIFICATIONS

Model	E-106	GH-06	GH-07	GH-1	GH-2	GH-3	GH-4
Excavator weight (t)	0,7 - 1,0	1,2 - 2,0	1,5 - 3,0	2,2 - 3,5	2,7 - 4,5	4 - 9	6 - 12
Operating weight* (kg)	62	127	138	221	268	391	634
Total length (mm)	872	1037	1088	1212	1291	1427	1690
Oil flow (l/min)	15 - 20	10 - 25	15 - 35	25 - 50	25 - 60	45 - 100	50 - 120
Blow frequency (bpm)	900 - 1200	480 - 1200	500 - 1200	550 - 1100	500 - 1200	500 - 1150	400 - 1000
Min. excavator pressure (MPa)	15 ~	17,5 ~	17,5 ~	17,5 ~	21 ~	17,5 ~	17,5 ~
Chisel diameter (mm)	41	42	47	57	66	76	86

Model	GH-6	GH-7	GH-9
Excavator weight (t)	12 - 18	14 - 21	17 - 24
Operating weight* (kg)	913	1345	1607
Total length (mm)	1931	2275	2395
Oil flow (l/min)	90 - 150	100 - 150	150 - 200
Blow frequency (bpm)	460 - 800	380 - 575	500 - 650
Min. excavator pressure (MPa)	21 ~	21 ~	21 ~
Chisel diameter (mm)	106	116	126

Model	GH-10	GH-12	GH-15	GH-18	GH-23	GH-30	GH-40
Excavator weight (t)	21 - 28	24 - 38	28 - 45	38 - 50	50 - 60	50 - 80	90 - 110
Operating weight* (kg)	1816	2310	2843	3292	4525	5450	7750
Total length (mm)	2575	2777	2988	3105	3325	3452	3867
Oil flow (l/min)	165 - 210	170 - 220	200 - 250	220 - 290	250 - 320	280 - 350	300 - 400
Blow frequency (bpm)	430 - 550	400 - 520	350 - 450	300 - 400	300 - 400	310 - 390	240 - 330
Min. excavator pressure (MPa)	21 ~	21 ~	21 ~	21 ~	21 ~	21 ~	21 ~
Chisel diameter (mm)	136	146	156	165	174	184	204

*Operating weight including standard top bracket

Technical specifications subject to change without prior notice

Hydraulic Hammer



Chisel (P)

- Concrete breaking
- Highway construction
- General demolition



Chisel crosscut (FX)

- Trenching
- Cutting casting gates
 - Breaking oversize
- General demolition



Chisel (E)

- Secondary breaking
- Breaking oversize
- Slag removal

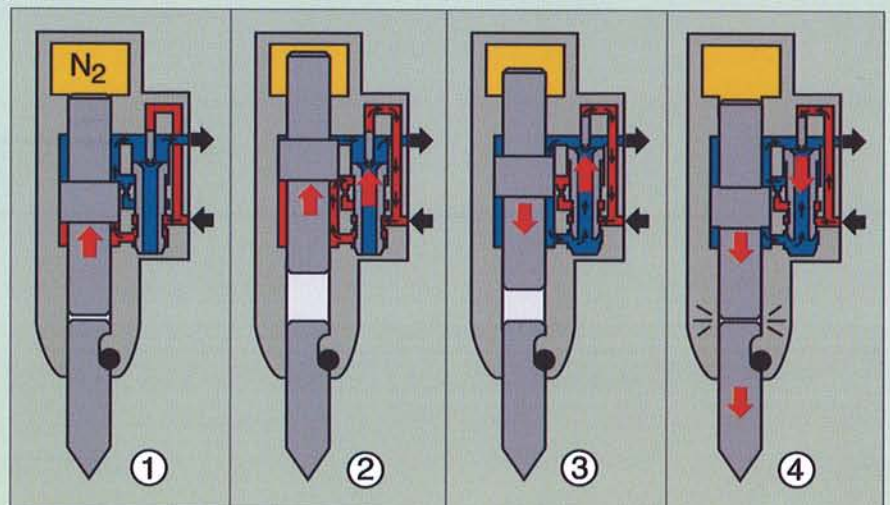


Core Chisel (PC)

The Core Chisel with its revolutionary steel core, provides extra hardness where it is required: at the point of impact. The benefit being less wear, increased productivity and lower replacements costs!



WORKING PRINCIPLE





HYDRAULIC HAMMERS

CONCRETE CRUSHERS

CONCRETE CRUNCHERS



MULTI-PROCESSORS

DEMOLITION GRABS

COMPACTORS



X-Y-Z CONCEPT

SHEET PILERS

DEALER

NPK Europe (Holland) bv

World Trade Center
PO Box 30157
3001 DD Rotterdam,
The Netherlands
Tel: +31 (0)10 205 1710
Fax: +31 (0)10 205 1715
E-mail: info@npke.nl