



 INFINITI

**Red Bull**   
RACING

2 0 1 5

# EYEWEAR

INSPIRED BY THE 4 TIMES **WORLD CHAMPION TEAM**



INFINITI

Red Bull RACING

# EYEWEAR

INSPIRED BY THE 4 TIMES WORLD CHAMPION TEAM





INFINITI

Red Bull RACING



# EYEWEAR

INSPIRED BY THE 4 TIMES WORLD CHAMPION TEAM



INFINITI

Red Bull  
RACING



# EYEWEAR

INSPIRED BY THE 4 TIMES WORLD CHAMPION TEAM





# EYEWEAR

INSPIRED BY THE 4 TIMES **WORLD CHAMPION TEAM**





 INFINITI

**Red Bull**   
RACING

# EYEWEAR

INSPIRED BY THE 4 TIMES **WORLD CHAMPION TEAM**





# SUN



ACCESSORIES

MATERIALS

GOGGLES

OPTICAL

SUN

BRAND



# OVERVIEW

COHERENT BRAND DNA

## HIGH-TECH

TECHNOLOGY, INNOVATION, PRECISION

material: Carbon, composite materials

XNL® lenses (Xtreme Nylon lens)

### TARGET GROUP:

men with the highest technical demands

CARBON



## LIFE-TECH

TECHNOLOGY, LIGHTNESS, ROBUSTNESS

material: Stainless Steel, aluminium, titanium

XNL® lenses (Xtreme Nylon lens)

### TARGET GROUP:

sporty lifestyle men with highest demands

METAL



## SPORTS-TECH

TECHNOLOGY, SPORTS, FUN

material: XMP, TR90

XNL® lenses > 100 €

### TARGET GROUP:

sporty fun racer with courage to wear colour

SYNTHETIC MATERIAL



BRAND

SUN

OPTICAL

GOGGLES

MATERIALS

ACCESSORIES



# HIGH-TECH

TECHNOLOGY, INNOVATION, PRECISION

The High-Tech collection offers supreme technical precision in combination with spectacular design. The Formula 1 maxim: "The more innovative the material, the greater the success" has been realised with astounding success. The collection is inspired by the high-performance machines of the racing stable – the four-time world champion fireballs of Infiniti Red Bull Racing: a collection for men with exacting technical standards and bold audacity in terms of form and design vocabulary.

**MATERIAL: CARBON, COMPOSITE MATERIALS**

**XNL**® LENSES (Xtreme Nylon lens)

**TARGET GROUP: MEN WITH THE HIGHEST TECHNICAL DEMANDS**



HIGH-TECH

LIFE-TECH

SPORTS-TECH

BRAND

SUN

OPTICAL

GOGGLES

MATERIALS

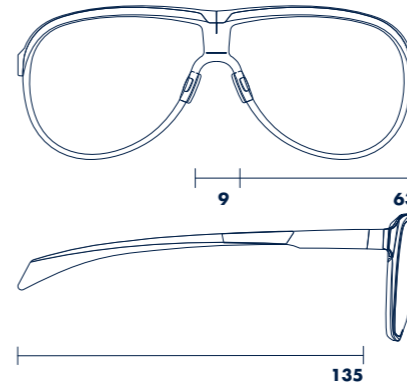
ACCESSORIES





**IMOLA-002**  
**material: Carbon, TR90, Stainless Steel**  
 colour: matt black, shiny black, black rubber inlay on temple  
 lenses: XNL, smoke, AR coated  
 mirror: red REVO  
 size: 63-9-135

**ACCESSORIES**  
 RBR-CASE1  
 RBR-CLEANER1  
 RBR-CARD4  
 RBR-BOX1



**XNL**® SUPREME LENS TECHNOLOGY



**IMOLA-001**  
 colour: matt black, silver brushed, black rubber inlay on temple  
 lenses: XNL, green, AR coated  
 mirror: silver flash



**IMOLA-003**  
 colour: matt dark blue, matt black, grey rubber inlay on temple  
 lenses: XNL, smoke, AR coated  
 mirror: silver



**IMOLA-004**  
 colour: matt black, matt white, black rubber inlay on temple  
 lenses: XNL, smoke, AR coated  
 mirror: silver Flash



**HIGH-TECH – IMOLA**

**HIGH-TECH**

**LIFE-TECH**

**SPORTS-TECH**

**ACCESSORIES**

**MATERIALS**

**GOGGLES**

**OPTICAL**

**SUN**

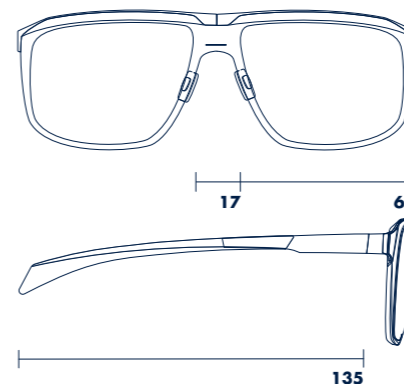
**BRAND**





**MONZA-004**  
 material: Carbon, TR90, Stainless Steel  
 colour: matt dark grey, matt gun,  
 red rubber inlay on temple  
 lenses: XNL, smoke, AR coated  
 mirror: red REVO  
 size: 60-17-135

**ACCESSORIES**  
 RBR-CASE1  
 RBR-CLEANER1  
 RBR-CARD4  
 RBR-BOX1



**XNL**® SUPREME LENS TECHNOLOGY

**HIGH-TECH – MONZA**



**MONZA-001**  
 colour: matt black, black  
 rubber inlay on temple  
 lenses: XNL, smoke, AR coated



**MONZA-002**  
 colour: matt black, yellow rubber  
 inlay on temple  
 lenses: XNL, brown, AR coated  
 mirror: gold



**MONZA-003**  
 colour: matt dark blue,  
 silver brushed, blue  
 rubber inlay on temple  
 lenses: XNL, smoke,  
 polarised, AR coated  
 mirror: silver flash



BRAND

SUN

OPTICAL

GOGGLES

MATERIALS

ACCESSORIES

HIGH-TECH

LIFE-TECH

SPORTS-TECH



# LIFE-TECH

TECHNOLOGY, LIGHTNESS,  
ROBUSTNESS

The Life-Tech collection offers the highest levels of comfort in conjunction with innovative materials. The extreme lightness of the models is paramount and comes with clear, flowing lines, dimensional stability and a straightforward design, resulting in an ideal collection for sporty lifestyle men passionate about clear minimalist design.

**MATERIAL: STAINLESS STEEL,  
ALUMINIUM, TITANIUM**

**XNL<sup>®</sup> LENSES** (Xtreme Nylon lens)

**TARGET GROUP: SPORTY LIFESTYLE  
MEN WITH HIGHEST DEMANDS**



HIGH-TECH

LIFE-TECH

SPORTS-TECH

BRAND

SUN

OPTICAL

GOGGLES

MATERIALS

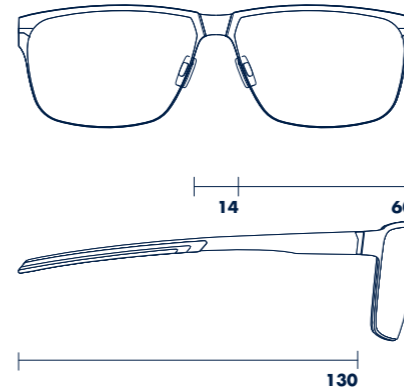
ACCESSORIES





**RBR254-001**  
**frame: Stainless Steel**  
 colour: matt black, black/grey rubber inlay on temple  
 lenses: XNL, smoke  
 mirror: silver flash  
 size: 60-14-130

**ACCESSORIES**  
 RBR-CASE6  
 RBR-CLEANER1  
 RBR-CARD4



**XNL**® SUPREME LENS TECHNOLOGY

**LIFE-TECH – RBR254**



**RBR254-002**  
 colour: matt dark blue, red/blue rubber inlay on temple  
 lenses: XNL, smoke  
 mirror: red REVO



**RBR254-003**  
 colour: brushed gun, matt red, grey/red rubber inlay on temple  
 lenses: XNL, smoke



**RBR254-004**  
 colour: matt black, matt bright blue, grey/bright blue rubber inlay on temple  
 lenses: XNL, smoke  
 mirror: blue REVO



**RBR254-005**  
 colour: matt black, matt yellow, yellow/black rubber inlay on temple  
 lenses: XNL, brown  
 mirror: gold REVO



**RBR254-007**  
 colour: matt black, black/grey rubber inlay on temple  
 lenses: XNL, smoke, POL  
 mirror: silver flash



BRAND

SUN

OPTICAL

GOGGLES

MATERIALS

ACCESSORIES

HIGH-TECH

LIFE-TECH

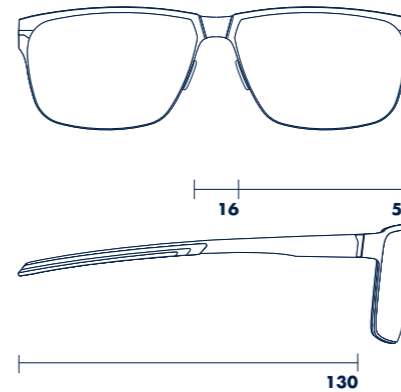
SPORTS-TECH





**RBR255-001**  
**frame: Stainless Steel**  
 colour: matt black, black/grey rubber inlay on temple  
 lenses: XNL, smoke  
 size: 57-16-130

**ACCESSORIES**  
 RBR-CASE6  
 RBR-CLEANER1  
 RBR-CARD4



**XNL**® SUPREME LENS TECHNOLOGY

**LIFE-TECH – RBR255**



**RBR255-003**  
 colour: matt black, black/red rubber inlay on temple  
 lenses: XNL, smoke  
 mirror: red REVO



**RBR255-004**  
 colour: matt black, black/yellow rubber inlay on temple  
 lenses: XNL, brown  
 mirror: gold REVO



**RBR255-005**  
 colour: matt dark blue, bright blue/dark blue rubber inlay on temple  
 lenses: XNL, smoke  
 mirror: blue REVO



**RBR255-006**  
 colour: brushed gun, matt dark blue, grey/red rubber inlay on temple  
 lenses: XNL, smoke  
 mirror: silver flash



**RBR255-007**  
 colour: matt black, black/grey rubber inlay on temple  
 lenses: XNL, smoke, POL  
 mirror: silver flash



BRAND

SUN

OPTICAL

GOGGLES

MATERIALS

ACCESSORIES

HIGH-TECH

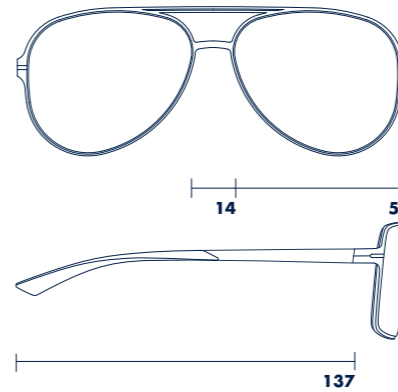
LIFE-TECH

SPORTS-TECH



**RBR181-018**  
**frame: Stainless Steel**  
 colour: anthracite, brushed with blue rubber inlay on temple  
 lenses: XNL, smoke, AR coated  
 mirror: blue REVO  
 size: 58-14-137

**ACCESSORIES**  
 RBR-CASE6  
 RBR-CLEANER1  
 RBR-CARD4



**XNL**® SUPREME LENS TECHNOLOGY

**LIFE-TECH – RBR181**



**RBR181-002**  
 colour: matt gold,  
 black rubber inlay on temple  
 lenses: XNL, green, AR coated



**RBR181-005**  
 colour: dark blue,  
 grey rubber inlay on temple  
 lenses: XNL, grey, AR coated  
 mirror: blue flash



**RBR181-001**  
 colour: semi-matt black,  
 black rubber inlay on temple  
 lenses: XNL, smoke, AR coated



**RBR181-004**  
 colour: silver, palladium, brushed  
 black rubber inlay on temple  
 lenses: XNL, grey, AR coated  
 mirror: silver flash



**RBR181-006**  
 colour: semi-matt black,  
 black rubber inlay on temple  
 lenses: XNL, green,  
 polarised, AR coated



**RBR181-019**  
 colour: matt anthracite, matt  
 red rubber inlay on temple  
 lenses: XNL, smoke, AR coated  
 mirror: red REVO



BRAND

SUN

OPTICAL

GOGGLES

MATERIALS

ACCESSORIES

HIGH-TECH

LIFE-TECH

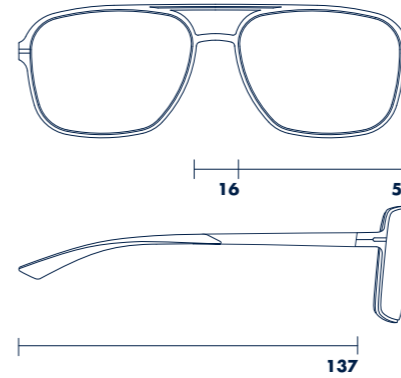
SPORTS-TECH





**RBR182-004**  
**frame: Stainless Steel**  
 colour: matt dark blue,  
 grey rubber inlay on temple  
 lenses: XNL, grey, AR coated  
 mirror: blue flash  
 size: 57-16-137

**ACCESSORIES**  
 RBR-CASE6  
 RBR-CLEANER1  
 RBR-CARD4



**XNL**® SUPREME LENS TECHNOLOGY

**LIFE-TECH – RBR182**



**RBR182-002**  
 colour: matt gold,  
 black rubber inlay on temple  
 lenses: XNL, brown, AR coated  
 mirror: gold flash



**RBR182-003**  
 colour: white chrome,  
 black rubber inlay on temple  
 lenses: XNL, grey, AR coated



**RBR182-001**  
 colour: matt black chrome,  
 black rubber inlay on temple  
 lenses: XNL, green, AR coated



**RBR182-005**  
 colour: matt black chrome,  
 black rubber inlay on temple  
 lenses: XNL, grey,  
 polarised, AR coated



BRAND

SUN

OPTICAL

GOGGLES

MATERIALS

ACCESSORIES

HIGH-TECH

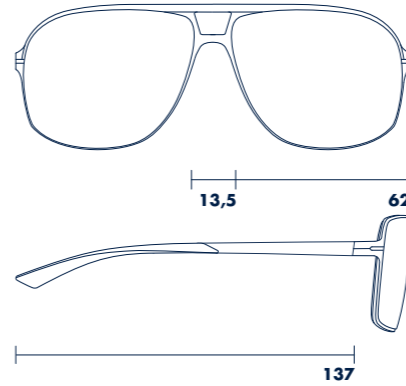
LIFE-TECH

SPORTS-TECH



**RBR192-002**  
**frame: Stainless Steel**  
 colour: gun metal, brushed  
 black rubber inlay on temple  
 lenses: XNL, grey, AR coated  
 mirror: red REVO  
 Size: 62-13,5-137

**ACCESSORIES**  
 RBR-CASE6  
 RBR-CLEANER1  
 RBR-CARD4



**XNL**® SUPREME LENS TECHNOLOGY

**LIFE-TECH — RBR192**



**RBR192-001**  
 frame: Stainless Steel  
 colour: semi-matt black,  
 black rubber inlay on temple  
 lenses: XNL, green, AR coated  
 size: 62-13,5-137



**RBR192-003**  
 colour: semi-matt dark blue,  
 grey rubber inlay on temple  
 lenses: XNL, grey, AR coated



**RBR192-004**  
 colour: semi-matt silver,  
 palladium, brushed  
 black rubber inlay on temple  
 lenses: XNL, grey, AR coated  
 mirror: silver flash



**RBR192-006**  
 colour: semi-matt black,  
 black rubber inlay on temple  
 lenses: XNL, grey,  
 polarised, AR coated



BRAND

SUN

OPTICAL

GOGGLES

MATERIALS

ACCESSORIES

HIGH-TECH

LIFE-TECH

SPORTS-TECH



# SPORTS-TECH

TECHNOLOGY, SPORTS, FUN

The Sports-Tech collection offers a highly technical, sporty and at the same time colourful collection specially developed for the sporty fun racer. But the crème de la crème of the collection is the XMP (Xtreme Matrix Polymer) segment. The world's most advanced thermoplastic from Formula 1 was transferred to the eyewear collection and offers outstanding benefits such as extreme lightness and flexibility.

**MATERIAL: XMP, TR90**

**XNL<sup>®</sup> LENSES** (> €100,-)

**TARGET GROUP: SPORTY FUN RACER  
WITH COURAGE TO WEAR COLOUR**



HIGH-TECH

LIFE-TECH

SPORTS-TECH

BRAND

SUN

OPTICAL

GOGGLES

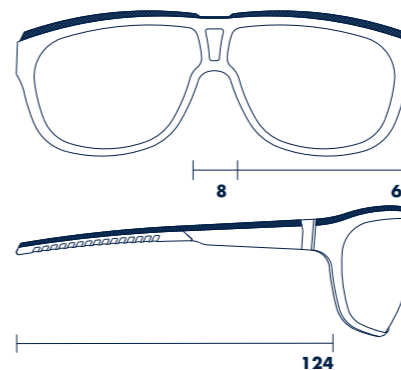
MATERIALS

ACCESSORIES



**FLAP-001**  
**material:** XMP  
 colour: matt black with yellow rubber nose pads and yellow rubber temple tips  
 lenses: XNL, smoke, AR coated  
 mirror: silver flash  
 size: 64-8-124

**ACCESSORIES**  
 RBR-CASE2  
 RBR-CARD4  
 RBR-POUCH2



**XNL**® SUPREME LENS TECHNOLOGY



**FLAP-002**  
 colour: matt dark grey with black rubber nose pads and black rubber temple tips  
 lenses: XNL, smoke, AR coated  
 mirror: silver



**FLAP-003**  
 colour: matt dark blue with red rubber nose pads and red rubber temple tips  
 lenses: XNL, smoke, AR coated  
 mirror: silver



**FLAP-004**  
 colour: matt black with dark grey rubber nose pads and dark grey rubber temple tips  
 lenses: XNL, smoke, AR coated



**SPORTS-TECH – FLAP**

**HIGH-TECH**

**LIFE-TECH**

**SPORTS-TECH**

**ACCESSORIES**

**MATERIALS**

**GOGGLES**

**OPTICAL**

**SUN**

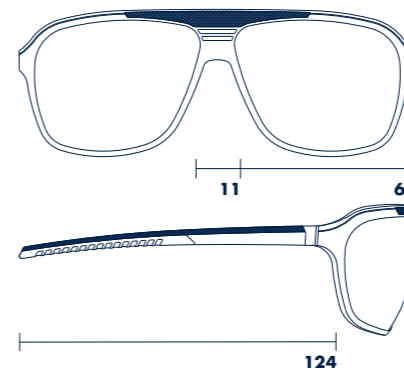
**BRAND**





**GRIP-001**  
**material: XMP**  
 colour: matt black with black rubber nose pads and black rubber temple tips  
 lenses: XNL, smoke, AR coated  
 mirror: silver flash  
 size: 62-11-124

**ACCESSORIES**  
 RBR-CASE2  
 RBR-CARD4  
 RBR-POUCH2



**XNL**® SUPREME LENS TECHNOLOGY



**GRIP-002**  
 colour: matt dark grey with orange rubber nose pads and orange rubber temple tips  
 lenses: XNL, smoke, AR coated  
 mirror: orange REVO



**GRIP-003**  
 colour: matt dark blue with blue rubber nose pads and blue rubber temple tips  
 lenses: XNL, smoke, polarised, AR coated  
 mirror: blue



**GRIP-004**  
 colour: matt black with red rubber nose pads and red rubber temple tips  
 lenses: XNL, smoke, AR coated  
 mirror: red REVO



**SPORTS-TECH – GRIP**

**HIGH-TECH**

**LIFE-TECH**

**SPORTS-TECH**

**ACCESSORIES**

**MATERIALS**

**GOGGLES**

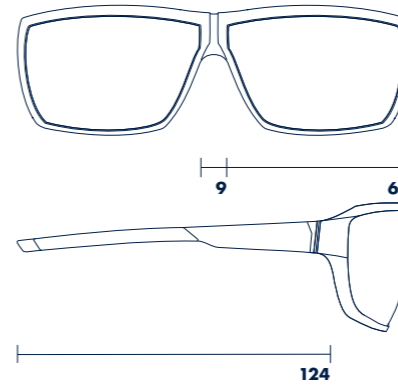
**OPTICAL**

**SUN**

**BRAND**



**RBR207-016**  
**frame: XMP**  
 colour: matt black with red rubber nose pads and red rubber temple tips  
 lenses: XNL, smoke, AR coated  
 mirror: red REVO  
 logo: red  
 size: 67-09-124



**XNL**® SUPREME LENS TECHNOLOGY

**XMP – RBR207**



**RBR207-009**  
 colour: semi-matt dark blue with black rubber nose pads and black rubber temple tips  
 lenses: XNL soft, smoke, AR coated  
 mirror: blue flash  
 logo: red



**RBR207-010**  
 colour: semi-matt grey with black rubber nose pads and black rubber temple tips  
 lenses: XNL soft, smoke, AR coated  
 mirror: blue flash  
 logo: black



**RBR207-011**  
 colour: shiny white with dark blue rubber nose pads and dark blue rubber temple tips  
 lenses: XNL soft, smoke, AR coated  
 mirror: blue  
 logo: blue



**RBR207-012**  
 colour: pearl blue with dark brown rubber nose pads and dark brown rubber temple tips  
 lenses: XNL soft, brown, AR coated  
 mirror: gold  
 logo: light grey



**RBR207-008**  
 colour: matt black with black rubber nose pads and light grey rubber temple tips  
 lenses: XNL soft, smoke, AR coated  
 logo: light grey



BRAND

SUN

OPTICAL

GOGGLES

MATERIALS

ACCESSORIES

HIGH-TECH

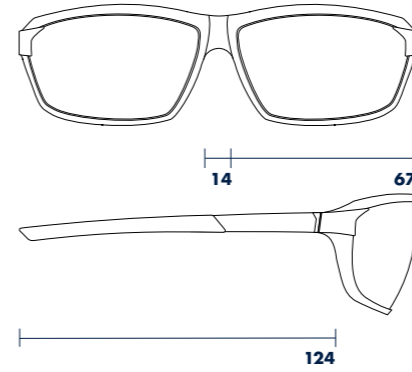
LIFE-TECH

SPORTS-TECH





**RBR209-015**  
**frame: XMP**  
 colour: matt black with blue rubber nose pads and blue rubber temple tips  
 lenses: XNL, green, AR coated  
 mirror: green REVO  
 logo: light grey  
 size: 67-14-124



**XNL**® SUPREME LENS TECHNOLOGY

**XMP – RBR209**



**RBR209-002**  
 colour: matt dark blue with matt yellow temple, dark blue rubber nose pads and dark blue rubber temple tips  
 lenses: XNL soft, braun, AR coated  
 mirror: gold  
 logo: dark blue



**RBR209-004**  
 colour: metallic purple with light grey temple, dark grey rubber nose pads and dark grey rubber temple tips  
 lenses: XNL soft, smoke, AR coated  
 mirror: silver flash  
 logo: dark grey



**RBR209-010**  
 colour: semi-matt grey with light grey rubber nose pads and light grey rubber temple tips  
 lenses: XNL soft, smoke, AR coated  
 mirror: silver flash  
 logo: light grey



**RBR209-011**  
 colour: shiny white with red rubber nose pads and red rubber temple tips  
 lenses: XNL soft, smoke, AR coated  
 mirror: silver flash  
 logo: red



**RBR209-001**  
 colour: matt black with black rubber nose pads and black rubber temple tips  
 lenses: XNL soft, smoke, AR coated  
 logo: light grey



BRAND

SUN

OPTICAL

GOGGLES

MATERIALS

ACCESSORIES

HIGH-TECH

LIFE-TECH

SPORTS-TECH



**FADE-004**

**material:** TR90

colour: rubberized light blue, rubberized transparent orange

lenses: polycarbonate, smoke

mirror: orange REVO

logo: grey

size: 60-13-130

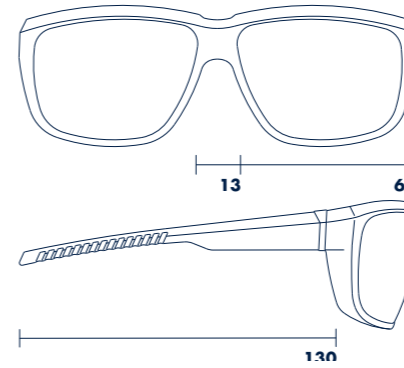
**ACCESSORIES**

RBR-CASE2

RBR-CARD4

RBR-CARD3

RBR-POUCH1



**SPORTS-TECH — FADE**



**FADE-001**

colour: rubberized black

lenses: polycarbonate, smoke

mirror: silver flash

logo: light grey



**FADE-003**

colour: rubberized dark blue, matt light blue

lenses: polycarbonate, smoke

mirror: silver flash

logo: dark blue



**FADE-002**

colour: rubberized black

lenses: polycarbonate, smoke, polarised

mirror: red REVO

logo: red



**FADE-005**

colour: rubberized transparent

lenses: polycarbonate, smoke

mirror: blue REVO

logo: dark blue



**FADE-007**

colour: rubberized black

lenses: polycarbonate, smoke, polarised

mirror: silver flash

logo: red



**HIGH-TECH**

**LIFE-TECH**

**SPORTS-TECH**

**BRAND**

**SUN**

**OPTICAL**

**GOGGLES**

**MATERIALS**

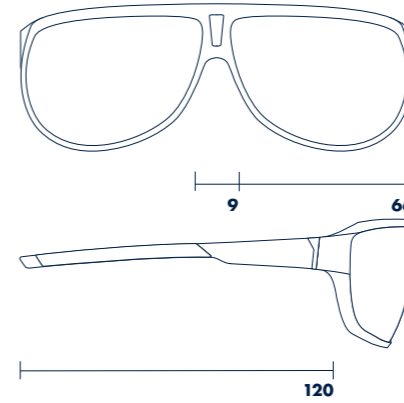
**ACCESSORIES**





**ESTO-007**  
**frame: TR90**  
 colour: matt white, matt transparent neon blue with grey rubber temple tips  
 lenses: polycarbonate, smoke, AR coated  
 mirror: blue REVO  
 size: 66-09-120

**ACCESSORIES**  
 RBR-CASE4  
 RBR-CARD4  
 RBR-POUCH2



**SPORTS-TECH — ESTO**



**ESTO-002**  
 colour: matt black, shiny black with black rubber nose pads and black rubber temple tips  
 lenses: polycarbonate, smoke, polarised, AR coated



**ESTO-003**  
 colour: metallic grey, shiny crystal with black rubber nose pads and black rubber temple tips  
 lenses: polycarbonate, smoke, AR coated  
 mirror: silver flash



**ESTO-004**  
 colour: matt white, matt transparent neon orange with grey rubber nose pads and grey rubber temple tips  
 lenses: polycarbonate, smoke, AR coated  
 mirror: red REVO



**ESTO-005**  
 colour: matt dark blue, matt transparent neon yellow with light grey rubber nose pads and light grey rubber temple tips  
 lenses: polycarbonate, brown, AR coated  
 mirror: gold REVO



**ESTO-006**  
 colour: light blue, transparent white with light grey rubber nose pads and light grey rubber temple tips  
 lenses: polycarbonate, green, AR coated  
 mirror: green REVO



**ESTO-001**  
 colour: matt black with black rubber nose pads and black rubber temple tips  
 lenses: polycarbonate, green, AR coated



**ESTO-008**  
 colour: matt white, matt transparent neon green with grey rubber temple tips  
 lenses: polycarbonate, green, AR coated  
 mirror: green REVO



**ESTO-009**  
 colour: matt white, matt transparent neon yellow  
 lenses: polycarbonate, brown, AR coated  
 mirror: gold REVO



**HIGH-TECH**

**LIFE-TECH**

**SPORTS-TECH**

**BRAND**

**SUN**

**OPTICAL**

**GOGGLES**

**MATERIALS**

**ACCESSORIES**



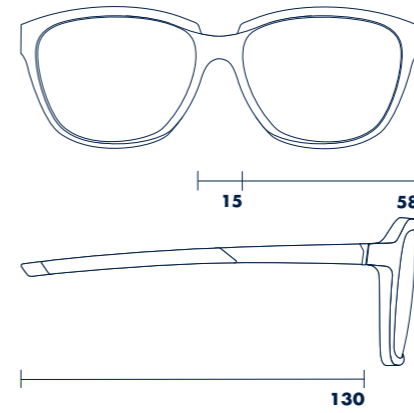
**DYNA-005**

frame: TR90

colour: shiny light blue, transparent neon yellow with light grey rubber nose pads and light grey rubber temple ends  
 lenses: polycarbonate, green, AR coated  
 mirror: green REVO  
 Size: 58-15-130

**ACCESSORIES**

- RBR-CASE2
- RBR-CARD4
- RBR-POUCH2



**SPORTS-TECH — DYNA**



**DYNA-002**

colour: dark blue, matt transparent red with yellow rubber nose pads and yellow rubber temple ends  
 lenses: polycarbonate, brown, AR coated  
 mirror: gold REVO



**DYNA-003**

colour: shiny crystal  
 temple: perl grey, shiny crystal with light grey rubber nose pads and light grey rubber temple ends  
 lenses: polycarbonate, smoke, AR coated  
 mirror: blue



**DYNA-004**

colour: matt white, matt blue with red rubber nose pads and red rubber temple ends  
 lenses: polycarbonate, smoke, AR coated  
 mirror: red REVO



**DYNA-001**

frame: TR90  
 colour: shiny black with black rubber nose pads and dark grey rubber temple ends  
 lenses: polycarbonate, smoke, AR coated  
 mirror: red REVO



**HIGH-TECH**

**LIFE-TECH**

**SPORTS-TECH**

**ACCESSORIES**

**MATERIALS**

**GOGGLES**

**OPTICAL**

**SUN**

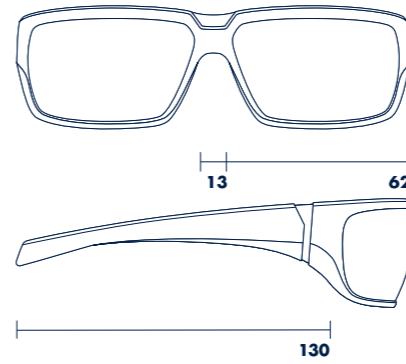
**BRAND**





**RBR213-004**  
**frame: TR90**  
 colour: rubberized milky navy  
 temple: transparent rubberized yellow  
 lenses: polycarbonate, brown  
 mirror: yellow  
 logo: blue  
 Größe: 62-13-130

**ACCESSORIES**  
 RBR-CARD4  
 RBR-CASE2  
 RBR-POUCH1  
 RBR-CARD2



**SPORTS-TECH – RBR213**



**RBR213-002**  
 colour: rubberized black  
 temple: rubberized grey  
 lenses: polycarbonate, smoke  
 mirror: silver flash  
 logo: black



**RBR213-007**  
 colour: rubberized black  
 lenses: polycarbonate, smoke, polarised  
 mirror: silver flash  
 logo: grey



**RBR213-005**  
 colour: rubberized grey  
 temple: transparent rubberized neon orange  
 lenses: polycarbonate, smoke  
 mirror: red REVO  
 logo: grey



**RBR213-001**  
 colour: rubberized black  
 lenses: polycarbonate, green  
 logo: silver



**HIGH-TECH**

**LIFE-TECH**

**SPORTS-TECH**

**BRAND**

**SUN**

**OPTICAL**

**GOGGLES**

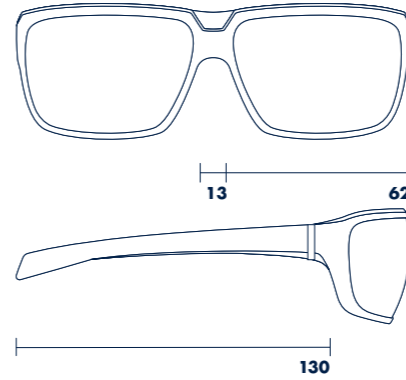
**MATERIALS**

**ACCESSORIES**



**RBR214-005**  
**frame: TR90**  
 colour: rubberized transparent neon orange  
 temple: transparent rubberized grey  
 lenses: polycarbonate, smoke  
 mirror: red REVO  
 logo: black  
 size: 62-13-130

**ACCESSORIES**  
 RBR-CARD4  
 RBR-CASE2  
 RBR-POUCH1  
 RBR-CARD2



**SPORTS-TECH – RBR214**



**RBR214-002**  
 colour: rubberized pearl dark grey  
 lenses: polycarbonate, green  
 logo: silver



**RBR214-003**  
 colour: shiny white  
 lenses: polycarbonate, smoke  
 mirror: red revo  
 logo: red



**RBR214-004**  
 colour: rubberized blue  
 temple: rubberized transparent navy blue  
 lenses: polycarbonate, brown  
 mirror: yellow  
 logo: silver



**RBR214-001**  
 colour: rubberized black  
 lenses: polycarbonate, smoke  
 mirror: silver flash  
 logo: red



**RBR214-007**  
 colour: rubberized black  
 lenses: Polycarbonat, smoke, polarised  
 mirror: silver flash  
 logo: grey



**HIGH-TECH**

**LIFE-TECH**

**SPORTS-TECH**

**BRAND**

**SUN**

**OPTICAL**

**GOGGLES**

**MATERIALS**

**ACCESSORIES**





# OPTICAL



ACCESSORIES

MATERIALS

GOGGLES

OPTICAL

SUN

BRAND

HIGH-TECH  
**RBRE160**



**RBRE160-001**  
**material: Carbon**  
 colour: matt gun, matt Carbon with black rubber temple tips  
 size: 54-30,3-135



RBR160-002  
 matt silver, shiny red Carbon with  
 grey rubber temple tips



RBR160-003  
 matt silver, shiny blue Carbon with  
 grey rubber temple tips



RBR160-004  
 matt gun, matt Carbon with  
 yellow rubber temple tips



RBR160-005  
 matt gun, matt Carbon with  
 red rubber temple tips



RBR160-006  
 matt gun, matt Carbon with bright  
 blue rubber temple tips



# HIGH-TECH

TECHNOLOGY, INNOVATION, PRECISION

The High-Tech collection offers supreme technical precision in combination with spectacular design. The Formula 1 maxim: "The more innovative the material, the greater the success" has been realised with astounding success. The collection is inspired by the high-performance machines of the racing stable – the four-time world champion fireballs of Infiniti Red Bull Racing: a collection for men with exacting technical standards and bold audacity in terms of form and design vocabulary.

**MATERIAL: CARBON, COMPOSITE MATERIALS**

**XNL LENSES** (Xtreme Nylon lens)

**TARGET GROUP: MEN WITH THE HIGHEST TECHNICAL DEMANDS**



HIGH-TECH

LIFE-TECH

SPORTS-TECH

BRAND

SUN

OPTICAL

GOGGLES

MATERIALS

ACCESSORIES

HIGH-TECH  
**RBRE161**



**RBRE161-001**  
**material: Carbon**  
 colour: matt gun, matt Carbon with black rubber temple tips  
 size: 52-30-135



RBR161-002  
 matt silver, shiny red Carbon with  
 grey rubber temple tips



RBR161-003  
 matt silver, shiny blue Carbon with  
 grey rubber temple tips



RBR161-004  
 matt gun, matt Carbon with  
 yellow rubber temple tips



RBR161-005  
 matt gun, matt Carbon with  
 red rubber temple tips



RBR161-006  
 matt gun, matt Carbon with bright  
 blue rubber temple tips



HIGH-TECH  
**RBRE162**



**RBRE162-004**  
 material: Carbon  
 colour: matt gun, matt Carbon with yellow rubber temple tips  
 size: 54-32-135



RBRE162-002  
 matt silver, shiny red Carbon with  
 grey rubber temple tips



RBRE162-003  
 matt silver, shiny blue Carbon with  
 grey rubber temple tips



RBRE162-001  
 matt gun, matt Carbon with  
 black rubber temple tips



RBRE162-005  
 matt gun, matt Carbon with  
 red rubber temple tips



RBRE162-006  
 matt gun, matt Carbon with bright  
 blue rubber temple tips

HIGH-TECH  
**RBRE163**



**RBRE163-001**  
**material: Carbon**  
 colour: matt gun, matt Carbon with black rubber temple tips  
 size: 52-31-135



RBR163-002  
 matt silver, shiny red Carbon with  
 grey rubber temple tips



RBR163-003  
 matt silver, shiny blue Carbon with  
 grey rubber temple tips



RBR163-004  
 matt gun, matt Carbon with  
 yellow rubber temple tips



RBR163-005  
 matt gun, matt Carbon with  
 red rubber temple tips



RBR163-006  
 matt gun, matt Carbon with bright  
 blue rubber temple tips



HIGH-TECH  
**RBRE164**



**RBRE164-006**  
 material: Carbon  
 colour: matt gun, matt Carbon with bright blue rubber temple tips  
 size: 55-36,2-135



RBR164-001  
 matt gun, matt Carbon with  
 black rubber temple tips



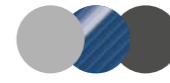
RBR164-002  
 matt silver, shiny red Carbon with  
 grey rubber temple tips



RBR164-004  
 matt gun, matt Carbon with  
 yellow rubber temple tips



RBR164-005  
 matt gun, matt Carbon with  
 red rubber temple tips



RBR164-003  
 matt silver, shiny blue Carbon with  
 grey rubber temple tips

HIGH-TECH  
**RBRE165**



**RBRE165-005**  
 material: Carbon  
 colour: matt gun, matt Carbon with red rubber temple tips  
 size: 56-33,8-135



RBR165-001  
 matt gun, matt Carbon with  
 black rubber temple tips



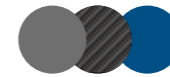
RBR165-003  
 matt silver, shiny blue Carbon with  
 grey rubber temple tips



RBR165-004  
 matt gun, matt Carbon with  
 yellow rubber temple tips



RBR165-002  
 matt silver, shiny red Carbon with  
 grey rubber temple tips



RBR165-006  
 matt gun, matt Carbon with bright  
 blue rubber temple tips



# LIFE-TECH

TECHNOLOGY, LIGHTNESS,  
ROBUSTNESS

The Life-Tech collection offers the highest levels of comfort in conjunction with innovative materials. The extreme lightness of the models is paramount and comes with clear, flowing lines, dimensional stability and a straightforward design, resulting in an ideal collection for sporty lifestyle men passionate about clear minimalist design.

**MATERIAL: STAINLESS STEEL,  
ALUMINIUM, TITANIUM**

**TARGET GROUP: SPORTY LIFESTYLE  
MEN WITH HIGHEST DEMANDS**



HIGH-TECH

LIFE-TECH

SPORTS-TECH

BRAND

SUN

OPTICAL

GOGGLES

MATERIALS

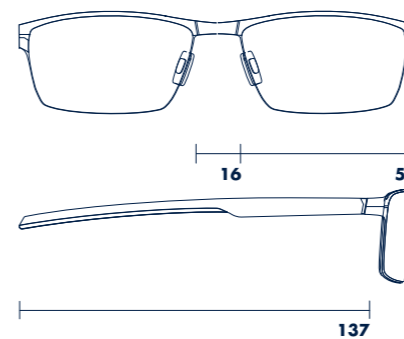
ACCESSORIES





**RBRE148-001**  
material: Stainless Steel front, TR90 temples  
colour: matt black with black rubber temple tips  
size: 54-16-137

**ACCESSORIES**  
RBRE-CASE3  
RBR-CLEANER1



**LIFE-TECH – RBRE148**



**RBRE148-002**  
colour: matt black with red rubber temple tips



**RBRE148-003**  
colour: matt light-blue, shiny light blue with orange rubber temple tips



**RBRE148-004**  
colour: matt dark gun/matt yellow, matt dark blue with yellow rubber temple tips



**HIGH-TECH**

**LIFE-TECH**

**SPORTS-TECH**

**ACCESSORIES**

**MATERIALS**

**GOGGLES**

**OPTICAL**

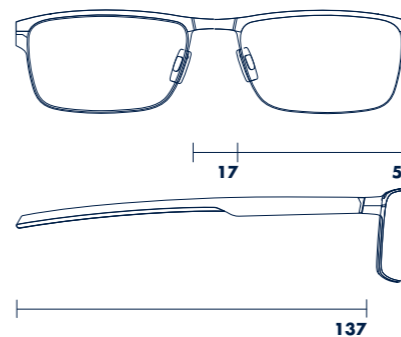
**SUN**

**BRAND**



**RBRE149-001**  
material: Stainless Steel front, TR90 temples  
colour: matt black with black rubber temple tips  
size: 53-17-137

**ACCESSORIES**  
RBRE-CASE3  
RBR-CLEANER1



**LIFE-TECH – RBRE149**



**RBRE149-002**  
colour: matt black with red rubber temple tips



**RBRE149-003**  
colour: matt dark blue with orange rubber temple tips



**RBRE149-005**  
colour: matt gun/ matt orange, matt grey with orange rubber temple tips



**HIGH-TECH**

**LIFE-TECH**

**SPORTS-TECH**

**ACCESSORIES**

**MATERIALS**

**GOGGLES**

**OPTICAL**

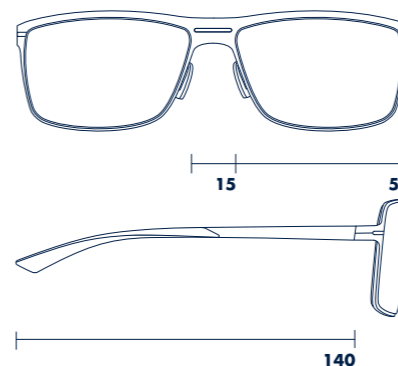
**SUN**

**BRAND**



**RBRE121-005**  
material: Stainless Steel  
colour: matt black, matt red with black inlay on temple  
size: 56-15-140

**ACCESSORIES**  
RBRE-CASE3  
RBR-CLEANER1



**LIFE-TECH – RBRE121**



**RBRE121-006**  
colour: matt gun, matt light blue with blue inlay on temple



**RBRE121-008**  
colour: matt black, matt white with black inlay on temple



**HIGH-TECH**

**LIFE-TECH**

**SPORTS-TECH**

**BRAND**

**SUN**

**OPTICAL**

**GOGGLES**

**MATERIALS**

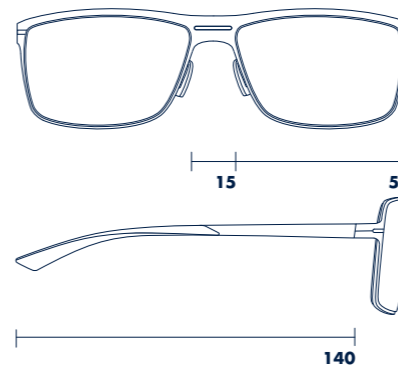
**ACCESSORIES**





**RBRE121-001**  
**material: Stainless Steel**  
 front: semi-matt black  
 temple: semi-matt black with  
 black rubber temple tips  
 logo: dark grey  
 size: 56-15-140

**ACCESSORIES**  
 RBRE-CASE3  
 RBR-CLEANER1



**LIFE-TECH – RBRE121**



**RBRE121-002**  
 front: semi-matt dark blue  
 temple: semi-matt dark blue with  
 grey rubber temple tips  
 logo: dark grey



**RBRE121-003**  
 front: gun metal, brushed  
 temple: gun metal with  
 grey rubber temple tips  
 logo: dark grey



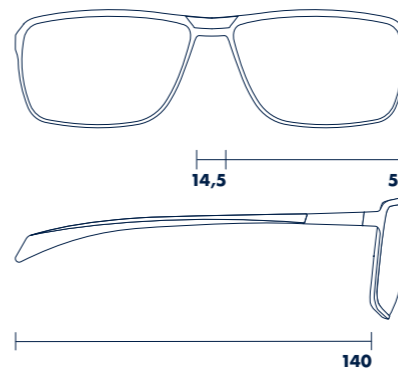
**RBRE121-004**  
 front: white chrome, brushed  
 temple: white chrome with  
 black rubber temple tips  
 logo: black





**RBRE134-001**  
 material: Stainless Steel front, acetate temples  
 front: matt black  
 temples: shiny black  
 size: 57-14,5-140

**ACCESSORIES**  
 RBRE-CASE3  
 RBR-CLEANER1



**LIFE-TECH – RBRE134**



**RBRE134-004**  
 front: matt dark blue  
 temple: shiny light grey



**RBRE134-007**  
 front: matt black  
 temple: matt yellow



**RBRE134-008**  
 front: matt dark grey  
 temple: shiny orange



**RBRE134-009**  
 front: white palladium, brushed  
 temple: shiny light grey



**HIGH-TECH**

**LIFE-TECH**

**SPORTS-TECH**

**BRAND**

**SUN**

**OPTICAL**

**GOGGLES**

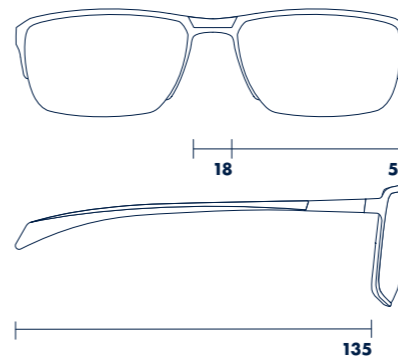
**MATERIALS**

**ACCESSORIES**



**RBRE138-001**  
 material: Stainless Steel front, acetate temples  
 front: matt black  
 temple: shiny red  
 size: 55-18-135

**ACCESSORIES**  
 RBRE-CASE3  
 RBR-CLEANER1



**LIFE-TECH – RBRE138**



**RBRE138-003**  
 front: matt dark blue  
 temple: matt yellow



**RBRE138-004**  
 front: matt white palladium  
 temple: matt dark blue



**RBRE138-008**  
 front: matt dark grey  
 temple: shiny light grey



**RBRE138-009**  
 front: shiny black  
 temple: shiny black



**HIGH-TECH**

**LIFE-TECH**

**SPORTS-TECH**

**BRAND**

**SUN**

**OPTICAL**

**GOGGLES**

**MATERIALS**

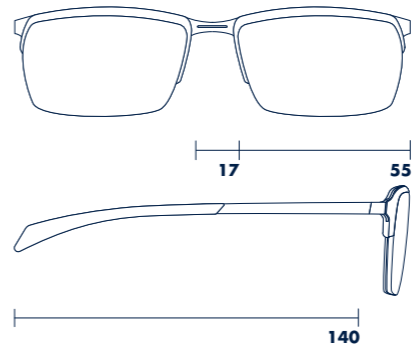
**ACCESSORIES**





**RBRE722-005**  
material: TR90, Stainless Steel  
colour: matt black with yellow rubber temple tips  
size: 55-17-140

**ACCESSORIES**  
RBRE-CASE3  
RBR-CLEANER1



**LIFE-TECH — RBRE722**



**RBRE722-006**  
colour: matt dark blue with red rubber temple tips



**RBRE722-007**  
colour: matt dark grey with light blue rubber temple tips



**HIGH-TECH**

**LIFE-TECH**

**SPORTS-TECH**

**BRAND**

**SUN**

**OPTICAL**

**GOGGLES**

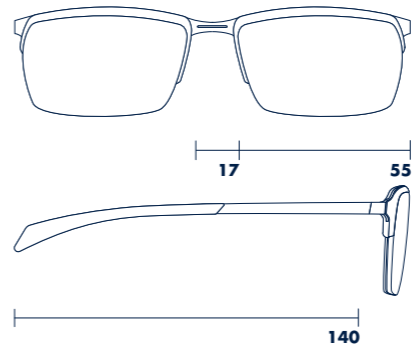
**MATERIALS**

**ACCESSORIES**



**RBRE722-001**  
material: TR90 front, Stainless Steel temples  
colour: matt black with matt black rubber temple tips  
size: 55-17-140

**ACCESSORIES**  
RBRE-CASE3  
RBR-CLEANER



**LIFE-TECH – RBRE722**



**RBRE722-002**  
colour: matt dark blue with dark blue rubber temple tips



**RBRE722-003**  
colour: brushed matt gun with grey rubber temple tips



**HIGH-TECH**

**LIFE-TECH**

**SPORTS-TECH**

**ACCESSORIES**

**MATERIALS**

**GOGGLES**

**OPTICAL**

**SUN**

**BRAND**



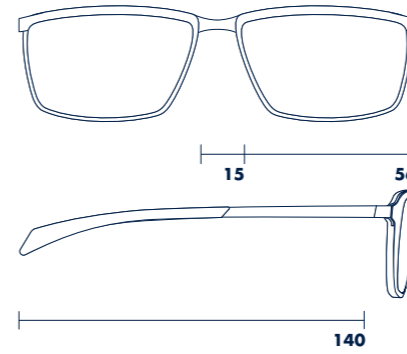
**RBRE723-004**

**material:** TR90 Front, Stainless Steel temples

**colour:** matt black, matt white with black rubber temple tips

**size:** 56-15-140

**ACCESSORIES**  
RBRE-CASE3  
RBR-CLEANER1



**LIFE-TECH – RBRE723**



**RBRE723-005**

**colour:** matt black, matt yellow with black rubber temple tips



**RBRE723-006**

**colour:** matt black, matt red with black rubber temple tips



**HIGH-TECH**

**LIFE-TECH**

**SPORTS-TECH**

**BRAND**

**SUN**

**OPTICAL**

**GOGGLES**

**MATERIALS**

**ACCESSORIES**





**RBRE723-001**

**material:** TR90 front, Stainless Steel temples

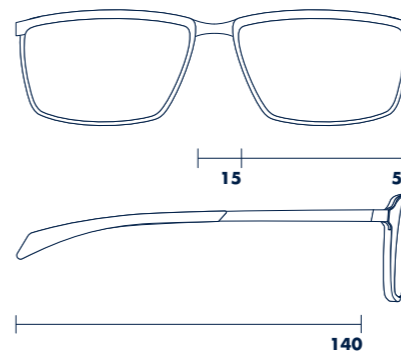
**colour:** brushed shiny grey-blue with black rubber temple tips

**size:** 56-15-140

**ACCESSORIES**

RBRE-CASE3

RBR-CLEANER1



**LIFE-TECH – RBRE723**



**RBRE723-002**

**colour:** shiny dark brown with brown rubber temple tips



**RBRE723-003**

**colour:** brushed gun with dark blue rubber temple tips



**HIGH-TECH**

**LIFE-TECH**

**SPORTS-TECH**

**ACCESSORIES**

**MATERIALS**

**GOGGLES**

**OPTICAL**

**SUN**

**BRAND**

# SPORTS-TECH

TECHNOLOGY, SPORTS, FUN

The Sports-Tech collection offers a highly technical, sporty and at the same time colourful collection specially developed for the sporty fun racer. But the crème de la crème of the collection is the XMP (Xtreme Matrix Polymer) segment. The world's most advanced thermoplastic from Formula 1 was transferred to the eyewear collection and offers outstanding benefits such as extreme lightness and flexibility.

**MATERIAL: XMP, TR90**

**TARGET GROUP: SPORTY FUN RACER  
WITH COURAGE TO WEAR COLOUR**



HIGH-TECH

LIFE-TECH

SPORTS-TECH

BRAND

SUN

OPTICAL

GOGGLES

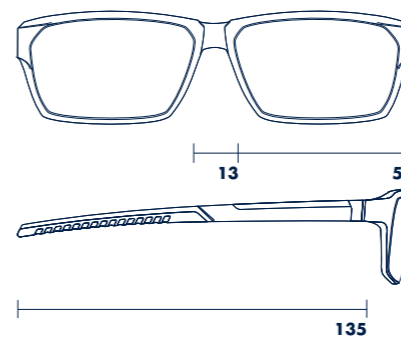
MATERIALS

ACCESSORIES



**RBRE745-001**  
material: XMP  
colour: matt black with black/grey rubber temple tips  
size: 58-13-135

ACCESSORIES  
RBRE-CASE3  
RBR-CLEANER1



**SPORTS-TECH – RBRE745**



**RBRE745-002**  
colour: matt black with black/red rubber temple tips



**RBRE745-003**  
colour: matt dark blue with blue/yellow rubber temple tips



**RBRE745-004**  
colour: matt dark grey with bright blue/ grey rubber temple tips



HIGH-TECH

LIFE-TECH

SPORTS-TECH

BRAND

SUN

OPTICAL

GOGGLES

MATERIALS

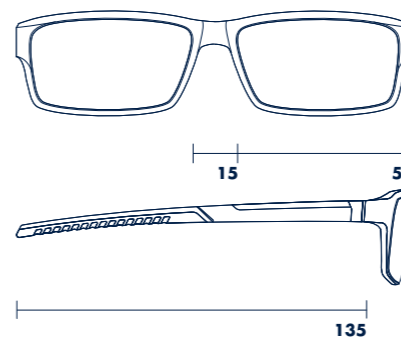
ACCESSORIES





**RBRE747-001**  
 material: XMP  
 colour: matt black with black rubber temple tips  
 size: 57-15-135

**ACCESSORIES**  
 RBRE-CASE3  
 RBR-CLEANER1



**SPORTS-TECH – RBRE747**



**RBRE747-002**  
 colour: matt black with orange/white rubber temple tips



**RBRE747-003**  
 colour: matt dark blue with red/white rubber temple tips



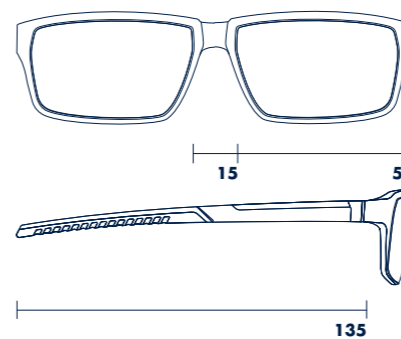
**RBRE747-004**  
 colour: matt dark grey with yellow/grey rubber temple tips





**RBRE752-001**  
 material: XMP  
 colour: matt black with black/white rubber temple tips  
 size: 56-15-135

**ACCESSORIES**  
 RBRE-CASE3  
 RBR-CLEANER1



**SPORTS-TECH — RBRE752**



**RBRE752-002**  
 colour: matt dark grey with  
 black/red rubber temple tips



**RBRE752-003**  
 colour: matt black with  
 orange/grey rubber temple tips



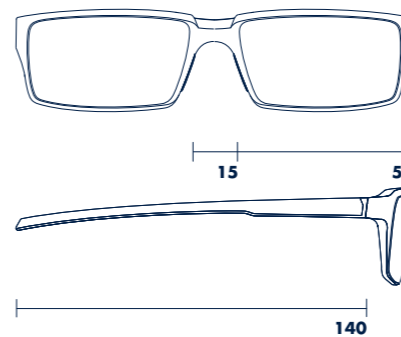
**RBRE752-004**  
 colour: matt dark blue with  
 red/blue rubber temple tips





**RBRE740-003**  
material: TR90  
colour: matt dark grey with yellow rubber temple tips  
size: 54-15-140

ACCESSORIES  
RBRE-CASE3  
RBR-CLEANER1



**SPORTS-TECH – RBRE740**



**RBRE740-002**  
colour: matt dark grey with red rubber temple tips



**RBRE740-004**  
colour: matt dark blue with turquoise rubber temple tips



**RBRE740-001**  
colour: matt black with white rubber temple tips



**RBRE740-005**  
colour: shiny black with black rubber temple tips



HIGH-TECH

LIFE-TECH

SPORTS-TECH

ACCESSORIES

MATERIALS

GOGGLES

OPTICAL

SUN

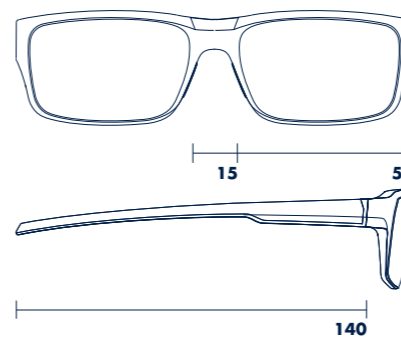
BRAND





**RBRE741-005**  
material: TR90  
colour: matt dark blue with red rubber temple tips  
size: 56-15-140

ACCESSORIES  
RBRE-CASE3  
RBR-CLEANER1



**SPORTS-TECH – RBRE741**



**RBRE741-002**  
colour: matt dark grey with grey-blue rubber temple tips



**RBRE741-009**  
colour: matt black, matt white with black rubber temple tips



**RBRE741-001**  
colour: shiny black, matt black with black rubber temple tips



HIGH-TECH

LIFE-TECH

SPORTS-TECH

BRAND

SUN

OPTICAL

GOGGLES

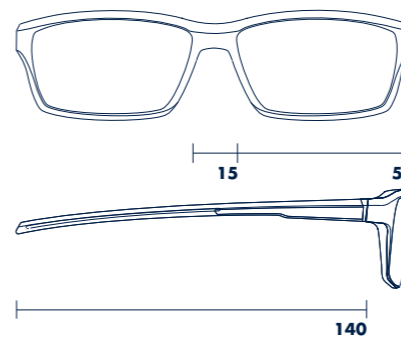
MATERIALS

ACCESSORIES



**RBRE743-004**  
 material: TR90  
 colour: matt black, matt olive  
 size: 53-15-140

ACCESSORIES  
 RBRE-CASE3  
 RBR-CLEANER1



**SPORTS-TECH – RBRE743**



**RBRE743-002**  
 colour: shiny black, matt blue



**RBRE743-001**  
 colour: matt black



**RBRE743-003**  
 colour: matt dark grey,  
 matt light grey



**RBRE743-008**  
 colour: matt black, matt red

HIGH-TECH

LIFE-TECH

SPORTS-TECH

ACCESSORIES

MATERIALS

GOGGLES

OPTICAL

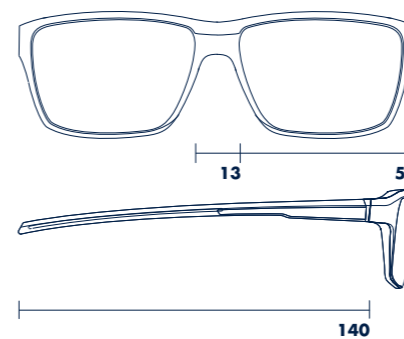
SUN

BRAND



**RBRE735-004**  
material: TR90  
colour: matt black, matt blue  
size: 55-13-140

ACCESSORIES  
RBRE-CASE3  
RBR-CLEANER1



**SPORTS-TECH – RBRE735**



**RBRE735-002**  
colour: matt black, matt red



**RBRE735-001**  
colour: matt black, shiny black



**RBRE735-003**  
colour: matt grey



**RBRE735-008**  
colour: matt black, matt yellow



HIGH-TECH

LIFE-TECH

SPORTS-TECH

BRAND

SUN

OPTICAL

GOGGLES

MATERIALS

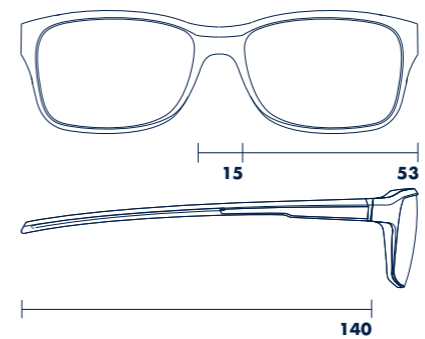
ACCESSORIES





**RBRE737-001**  
 material: TR90  
 colour: shiny black  
 size: 53-15-140

**ACCESSORIES**  
 RBRE-CASE3  
 RBR-CLEANER1



**SPORTS-TECH – RBRE737**



**RBRE737-004**  
 colour: matt grey, matt red



**RBRE737-009**  
 colour: matt grey, matt grey-blue



**RBRE737-008**  
 colour: matt grey, matt white

**HIGH-TECH**

**LIFE-TECH**

**SPORTS-TECH**

**BRAND**

**SUN**

**OPTICAL**

**GOGGLES**

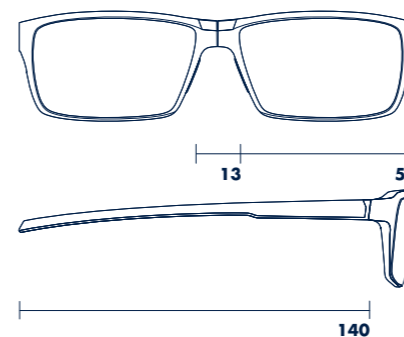
**MATERIALS**

**ACCESSORIES**



**RBRE739-005**  
**material: TR90**  
 colour: matt dark grey with orange rubber temple tips  
 size: 53-13-140

**ACCESSORIES**  
 RBRE-CASE3  
 RBR-CLEANER1



**SPORTS-TECH – RBRE739**



**RBRE739-003**  
 colour: matt dark blue with light grey rubber temple tips



**RBRE739-006**  
 colour: matt black with red rubber temple tips



**RBRE739-001**  
 colour: matt black with black rubber temple tips



**RBRE739-007**  
 colour: matt dark blue with light blue rubber temple tips



**HIGH-TECH**

**LIFE-TECH**

**SPORTS-TECH**

**BRAND**

**SUN**

**OPTICAL**

**GOGGLES**

**MATERIALS**

**ACCESSORIES**



# MATERIALS



ACCESSORIES

MATERIALS

GOGGLES

OPTICAL

SUN

BRAND





BRAND

SUN

OPTICAL

GOGGLES

MATERIALS

ACCESSORIES

# XNL<sup>®</sup>

## REVOLUTIONARY LENS TECHNOLOGY VERY CLOSE TO THE WORLD OF FORMULA 1

Formula One helmets now have to meet special requirements, such as a specific and demanding visor test in which projectiles are smashed into the visor at speeds of up to 500 km/h (310 mph). Impact points may no longer be any deeper than 2.5 mm.

XNL - Xtreme Nylon Lens – is a new innovative lens material, fulfilling these requirements. The material XNL is the world's lightest ophthalmic lens material and absolutely unbreakable.

Glasmaterial	XNL	1.6 MR8	PC	NXT	CR39	MINERAL
abbe	52	42	29	45	58	58
weight g/cm <sup>3</sup>	1,01	1,3	1,22	1,11	1,31	2,5
break resistance	++	+	++	+++	-	--

- best organic material
- perfect replication, superbly clear views
- highest degree of safety, unbreakable
- lightest lens material in the world
- 100% UV protection





# CARBON

## SEGMENT HIGH-TECH

Carbon is one of the ten most commonly occurring elements. It is characterised above all by its low weight, its ease of forming and its high corrosion resistance.

Carbon stands for high wearing comfort in combination with

- *Ultra lightness – 14 grams per glasses*
- *Extreme resistance*
- *Highest quality*

Carbon fibre is used in the construction of Formula One cars. Additionally some car body parts even consist of fibreglass reinforced polyurethane.

ACCESSORIES

MATERIALS

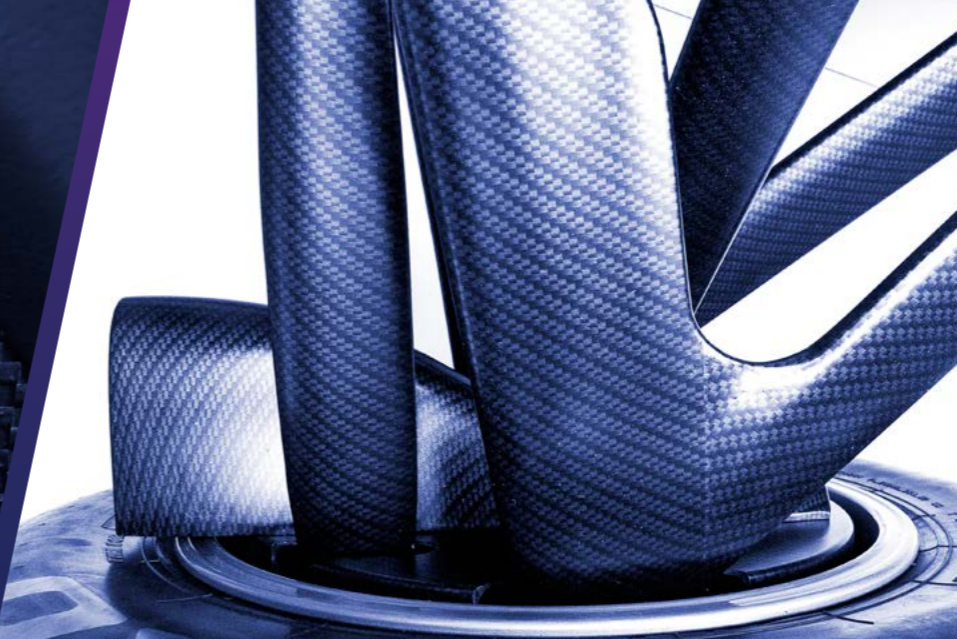
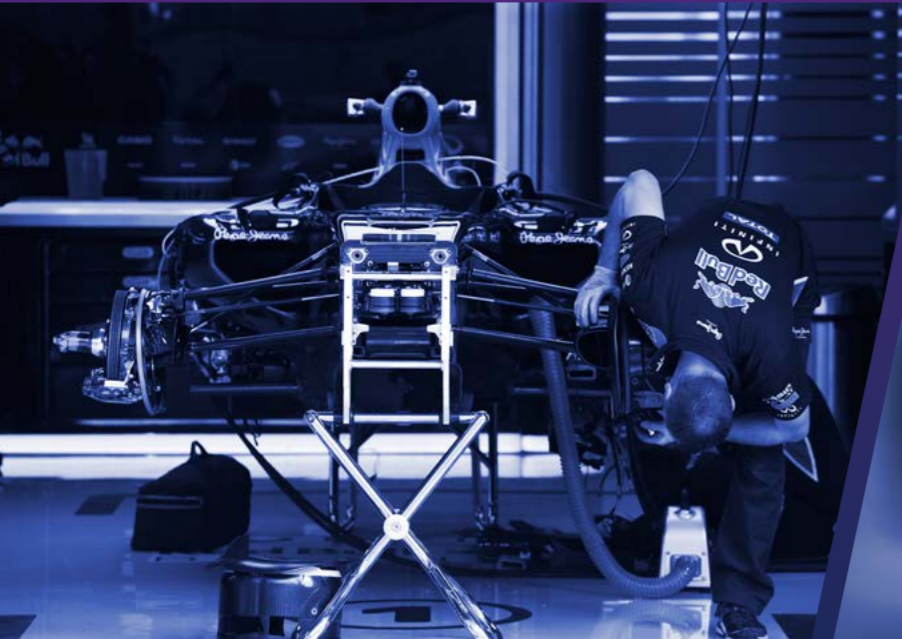
GOGGLES

OPTICAL

SUN

BRAND





BRAND

SUN

OPTICAL

GOGGLES

MATERIALS

ACCESSORIES

# XMP<sup>®</sup>

## SEGMENT SPORTS-TECH

XMP (Xtreme Matrix Polymer) is the world's most elaborate thermoplastic. It is extremely flexible and at the same time durable, crack resistant and comfortable to wear.

In Formula One XMP is used to reinforce and support Kevlar- and Carbon fibres, which are woven into matrices. These matrices are used in Formula One cockpits, especially in racing seats like in Sebastian Vettels and Daniel Ricciardos car, the RB9, to strengthen it.

XMP stands for high wearing comfort in combination with

- Resilience and flexibility
- Lightness and fineness
- impact resistance





# STAINLESS STEEL

## SEGMENT LIFE-TECH

Stainless Steel is a steel grade with an especially high purity, elasticity and dimensional stability.

Over time the use of advanced materials with the highest property levels has shown many advantages in Formula One cars, like the chassis. Its extreme lightness and strength makes the material Stainless Steel crucial in the construction of Formula One cars.

Stainless Steel stands for high wearing comfort in combination with

- *extreme durability*
- *high flexibility*
- *Lightness*

ACCESSORIES

MATERIALS

GOGGLES

OPTICAL

SUN

BRAND





# TR90

## SEGMENT LIFE-TECH & SPORTS-TECH

TR90 is a transparent polyamide formed from a mix of thermoplastic granulates. It is primarily characterised by its light weight, elasticity and extreme strength.

The latest technology and optimisation up to the smallest detail are as essential for the car industry as high end material combination. Material combinations are used in Formula One for the construction of car body parts.

TR90 stands for high wearing comfort in combination with

- *Ultra lightness*
- *flexibility*
- *Extreme strength*

ACCESSORIES

MATERIALS

GOGGLES

OPTICAL

SUN

BRAND

# PRODUCT FEATURES

## SUN / GOGGLES



**POLYCARBONATE LENSES**  
Thin polycarbonate lenses with 100% UV protection.



**OLEOPHOBIC COATING**  
Water, oil and dirt repellent for simple cleaning of lenses.



**DECENTRATION LENSES**  
Decentration of the optical centre for distortion-free vision.



**POLARISED**  
Polarised lenses for glare-free vision.



**INTERCHANGEABLE LENSES**  
Range of lenses in different colours for the best possible vision with changing light and weather conditions.



**VENTILATION**  
Vents on lenses and goggles regulate the airflow and temperature and prevent the lens from steaming-up for a dry feeling.



**ADJUSTABLE NOSE PADS**  
Individually adaptable nose pads for a non-slip and pressure-free fit.



**GRIP TECHNOLOGY**  
Dermatologically well-tolerated rubber lining of temple tips and bridges ensures a non-slip and pressure-free grip.



**ADJUSTABLE TEMPLES**  
Individually adaptable and adjustable temples provide enhanced wearer comfort.



**MATERIAL**  
Frames made from light, flexible, thermally stable TR90.



**PRESCRIPTION LENSES**



**XMP**  
Frames made from XMP: ultra-thin, robust, resilient and super-light.



**XNL LENSES**  
XNL lenses with 100% UV protection. Unbreakable, extreme light, highest precision

## GOGGLES



**HEAD SHAPE**  
Head band with silicone on the inside and double adjustments to perfectly fit the shape of every head.



**DOUBLE LENSES**  
Two single lenses bonded together form a thermal barrier which keeps the lens dry and warm.



**ANTI FOG COATING**  
Specific anti-fog treatment that makes the lenses hydrophobic, reduces the lens humidity absorption and prevents fogging.



**OUTRIGGER**  
Outrigger for perfect fitting with helmets



**VELVET FOAM**  
Super soft velvet layer on the inside of the frame for keeping the goggles dry and guaranteeing a perfect fit.



**DOUBLE THERMOFORMED FOAM**  
A double density foam on the inside of the goggles for best comfort when keeping in contact with the skin.



**OPTICAL ADAPTER**  
Vertical adjustable adapter available for individual perfect fit.



**ADJUSTABLE OUTRIGGER SYSTEM**  
Outrigger with 360° movement adapting to the wearer's physiognomy offering optimum protection of the eyes. Perfect fit with helmets is guaranteed.



**CARBON/POLYURETHANE**  
Injection-moulding from polyurethane and carbon ensures a stable front.



**PIT STOP SYSTEM**  
special lens-exchange system where lens changing becomes easy and comfortable

BRAND

SUN

OPTICAL

GOGGLES

MATERIALS

ACCESSORIES





# ACCESSORIES



ACCESSORIES

MATERIALS

GOGGLES

OPTICAL

SUN

BRAND

# ACCESSORIES

## CASES



**RBR-CASE1**  
high-end case small  
163 x 70 x 47 mm



**RBR-CASE2**  
sports and  
racing case



**RBR-CASE3**  
**RBR-CASE4**  
sports case



**RBR-CASE5**  
high-end case big  
170 x 82 x 59 mm



**RBR-CASE6**  
soft sunglasses case



**RBRE-CASE2**  
frames case small



**RBRE-CASE3**  
frames case big

## BOXES



**RBR-BOX1**  
high-end box small  
170 x 82 x 59 mm



**RBR-BOX3**  
goggles box big  
200 x 100 x 95 mm



**RBR-BOX4**  
goggles box small  
170 x 100 x 90 mm

## POUCHES



**RBR-POUCH1**  
racing microfibre  
cleaning cloth (pouch)  
185 x 93 mm



**RBR-POUCH2**  
sports microfibre  
cleaning cloth (pouch)  
185 x 93 mm



**RBR-POUCH3**  
goggles microfibre  
cleaning cloth (pouch)

## CLEANERS



**RBR-CLEANER1**  
big microfibre cleaning cloth  
with high-quality imprint  
180 x 150 mm

BRAND

SUN

OPTICAL

GOGGLES

MATERIALS

ACCESSORIES

BRAND

SUN

OPTICAL

GOGGLES

MATERIALS

ACCESSORIES



**RED BULL® RACING EYEWEAR IS PRODUCED BY**

MICHAEL PACHLEITNER GROUP G.M.B.H.  
LIEBENAUER TANGENTE 4+6 | 8041 GRAZ, AUSTRIA

**UNDER LICENSE FROM  
RED BULL GMBH/AUSTRIA**

OFFICE@SPECTACULAR-EYEWEAR.COM  
REDBULLRACINGEYEWEAR.COM