

COMPRESSOR PARTS

NRF	DESCRIPTION	REMARK	COMPRESSOR TYPE
38475	CLUTCH COIL	12 VOLT FOR OPEL/ VAUXHALL MODELS	SANDEN SD6V12
38470	CLUTCH COIL	12 VOLT FOR OPEL/ VAUXHALL MODELS	SANDEN SD7V16
38380	CONTROL VALVE	MECHANICAL	SANDEN SD7V16
38381	SUCTION REED	FOR 9,1MM SUCTION PORTS	SANDEN SD7V16
38382	DISCHARGE REED	FOR 9,1MM DISCHARGE PORTS	SANDEN SD7V16
38383	VALVE BASE PLATE	WITH 9,1MM SUCTION & DISCHARGE PORTS	SANDEN SD7V16
38453	ADAPTOR	FOR USE WITH UNIVERSAL FLX COMPRESSOR	SANDEN SD7H15
38454	ADAPTOR	FOR USE WITH UNIVERSAL FLX COMPRESSOR	SANDEN SD7H15
38455	ADAPTOR	FOR USE WITH UNIVERSAL FLX COMPRESSOR	SANDEN SD7H15
38456	ADAPTOR	FOR USE WITH UNIVERSAL FLX COMPRESSOR	SANDEN SD7H15
38410	CONNECTOR	GM 8MM 2-PIN	GM
38411	ADAPTER	GM 8MM TO 6.3 SPADE	GM
38413	THERMAL FUSE		GM
38420	CLUTCH COIL	12 VOLT FOR OPEL/ VAUXHALL MODELS	DELPHI CVC
38421	CONTROL VALVE	MECHANICAL R134A	DELPHI / GM / HARRISON DAEWOO V5
38421	CONTROL VALVE	MECHANICAL R134A	CALSONIC CWV
38421	CONTROL VALVE	MECHANICAL R134A	DELPHI CVC
38461	CONTROL VALVE	E-VALVE UNIVERSAL	DENSO 5SE09C / 5SE12C
38436	CONTROL VALVE	MECHANICAL VALVE MERCEDES (GREEN)	DENSO 6SE
38460	CONTROL VALVE	E-VALVE UNIVERSAL	DENSO 6SEU12 / 6SEU16
38473	CLUTCH HUB	DIRECT DRIVEN COMPRESSOR	DENSO 6SEU / 7SEU
38474	CLUTCH HUB	DIRECT DRIVEN COMPRESSOR	DENSO 6SEU / 7SEU
38439	CONTROLVALVE	MECHANICAL	DENSO 7SB / 7SBU
38440	CONTROLVALVE	MECHANICAL	DENSO 7SB / 7SBU
38460	CONTROL VALVE	E-VALVE UNIVERSAL	DENSO 7SEU16 / 7SEU17
38450	CONTROLVALVE	E-VALVE AUDI, SEAT, SKODA, VW	DENSO 7SEU16C / 7SEU17C
38441	SUCTION REED		DENSO 7SB16C
38442	DISCHARGE REED		DENSO 7SB16C
38443	VALVE BASE PLATE		DENSO 7SB16C
38444	SUCTION REED		DENSO 7SBU / 7SEU
38445	DISCHARGE REED		DENSO 7SBU / 7SEU
38446	VALVE BASE PLATE		DENSO 7SBU / 7SEU
38447	CLUTCH COIL	12 VOLT	DENSO 10PA / 7SB / 7SBU
38448	CLUTCH COIL	24 VOLT	DENSO 10PA / 7SB / 7SBU

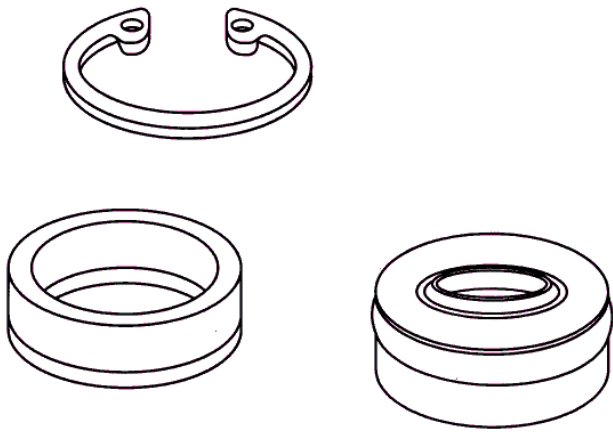
NRF NR. SHAFT SEAL	NRF NR. PULLEY BEARING	NRF NR. GASKET KIT	COMPRESSOR TYPE
X	38288	X	BEHR / BOSCH
X	35343	X	CALSONIC 6CA17A / 6CA17C
38465	X	X	CALSONIC CWV
38258	38287	X	CHRYSLER 6C17
38257	38287	X	CHRYSLER A590
38257	38287	X	CHRYSLER C171
38466	X	X	DELPHI CVC125 / CVC135
38270	38286	X	DIESELKIKI (ZEXEL) DKS13G
38270	38296	38297	DIESELKIKI (ZEXEL) DKS15BH LARGE BEARING
38270	38286	38297	DIESELKIKI (ZEXEL) DKS15BH SMALL BEARING
38251	38296	38298	DIESELKIKI (ZEXEL) DKS15CH LARGE BEARING
X	38288	X	DIESELKIKI (ZEXEL) DKS16H S
38464	X	X	FORD SCROLL
38252	38288	38299	FORD FS10 / FX15
38257	38287	X	FORD FS6
38418	38289	38412	GM A6 (CERAMIC SEAT)
38419	38289	38412	GM A6 (METAL SEAT)
38253	38289	38300	GM DA6 / HR6 / HR6HE
38418	38289	38301	GM R4 (CERAMIC SEAT)
38253	38289	38301	GM R4 (LATE)
38419	38289	38301	GM R4 (METAL SEAT)
38253	38289	38302	GM V5
38340	38289	38302	GM V5 DAEWOO / KOREA
38340	X	38316	GM DELPHI CVCC
X	38293	X	HITACHI A5000
X	38293	X	HITACHI MJS170
X	38289	X	KEIHIN 150L
X	38289	X	KEIHIN 150R
38407	38409	X	MATSUSHITA / PANASONIC N1300
38407	38409	X	MATSUSHITA / PANASONIC N1301
38407	38409	38408	MATSUSHITA / PANASONIC SA1150AE
38407	38409	38408	MATSUSHITA / PANASONIC SA11AO
38407	38409	38408	MATSUSHITA / PANASONIC H12
38407	38409	X	MATSUSHITA / PANASONIC S1150X3
38254	38287	X	MITSHUBISHI FX105V
38464	38287	X	MITSHUBISHI FX105V
38254	X	X	MITSHUBISHI FX80
38464	X	X	MITSHUBISHI FX80
38254	X	X	MITSHUBISHI MSC105CVS
38464	X	X	MITSHUBISHI MSC105CVS
38254	38293	X	MITSHUBISHI MSC90C
38464	38293	X	MITSHUBISHI MSC90C

COMPRESSOR PARTS

NRF NR. SHAFT SEAL	NRF NR. PULLEY BEARING	NRF NR. GASKET KIT	COMPRESSOR TYPE
38265	38293	X	NIHON DKV 14C / ZEXEL DKV 14C
38265	38286	X	NIHON DKV 14D / ZEXEL DKV 14D
38257	38290	38303	NIPPON DENSO 10P08E (CARBON SHAFT SEAL)
38258	38290	38303	NIPPON DENSO 10P08E (LIP SEAL)
38257	38293	38304	NIPPON DENSO 10P13C
38257	38293	38304	NIPPON DENSO 10P15C (CARBON SHAFT SEAL)
38258	38293	38304	NIPPON DENSO 10P15C (LIP SEAL)
38257	38292	38305	NIPPON DENSO 10P17C (AUDI / MERCEDES)
38257	38293	38305	NIPPON DENSO 10P17C STANDARD
38257	38291	38306	NIPPON DENSO 10PA15C / 10PA17C (CARBON)
38255	38291	38306	NIPPON DENSO 10PA15C / 10PA17C (LIP)
38313	38291	38314	NIPPON DENSO 10PA20C
38257	38287	X	NIPPON DENSO 6E171 / 6E171A
38257	38287	X	NIPPON DENSO 6P127A / 6P127B
38257	38287	X	NIPPON DENSO 6P134
38257	38287	X	NIPPON DENSO 6P148
38465	38343	X	NIPPON DENSO 6SEU12
38465	38462	X	NIPPON DENSO 6SEU16
38251	38343	38317	NIPPON DENSO 7SB16C
38321	38343	X	NIPPON DENSO 7SBU16C
38465	38468	X	NIPPON DENSO 7SE16
38465	38462	X	NIPPON DENSO 7SE16 (MERCEDES - LATE)
38465	38343	X	NIPPON DENSO 7SEU16
38340	38471/38472	X	NIPPON DENSO SC06
38340	38469	X	NIPPON DENSO SCS06
X	38468	X	NIPPON DENSO SC08
X	38291	X	NIPPON DENSO TV12C (R12 COMPRESSOR)
X	38291	X	NIPPON DENSO TV12C (R134A COMPRESSOR)
X	38291	X	NIPPON DENSO TV12EC
X	38291	X	NIPPON DENSO TV12SC
38271	38286	38307	SANDEN SD505
38256	38293	38307	SANDEN SD507
38271	38293	38307	SANDEN SD507 (MINI)
38256	38293	38307	SANDEN SD508
38256	38293	38307	SANDEN SD510
38251	38286	38307	SANDEN SD5H13 (LIP SEAL)
38251	38286	38319	SANDEN SD6V12
38259	38286	38308	SANDEN SD708 / SD709 (CARBON SEAL)
38251	38286	38308	SANDEN SD708 / SD709 (LIP SEAL)
38251	38286	X	SANDEN SD709 CA
38251	38295	38309	SANDEN SD7B10
38259	38293	X	SANDEN SD7H13 (CARBON SEAL)
38251	38293	X	SANDEN SD7H13 (LIP SEAL)
38259	38293	38308	SANDEN SD7H15 (CARBON SEAL)
38251	38293	38308	SANDEN SD7H15 (LIP SEAL)
38251	38286	38315 (FIBER)	SANDEN SD7V16
38251	38286	38320 (METAL)	SANDEN SD7V16
38271	38294	X	SANDEN TR70 (CARBON SEAL)
38254	38294	X	SANDEN TR70 LIP SEAL)
38256	38294	X	SANDEN TR80
38271	38286/38295	X	SANDEN TR90 / TR105 (CARBON SEAL)
38254	38286/38295	X	SANDEN TR90 / TR105 LIP SEAL)
X	38295	X	SANDEN TRF090
38258	X	X	SEIKO SEIKI SS170PSS (LIP SEAL)
38463	X	X	SEIKO SEIKI SS170PSS (CARBON SEAL)
38340	X	X	SELTEC TM08 / TM13 / TM15 / TM16 (LIP SEAL)
38340	X	X	TAMA TM08 / TM13 / TM15 / TM16 (LIP SEAL)
X	38287	X	TECUMSEH HR980
X	X	38414	YORK 206 / 209 / 210
38464	X	X	VISTEON HS090

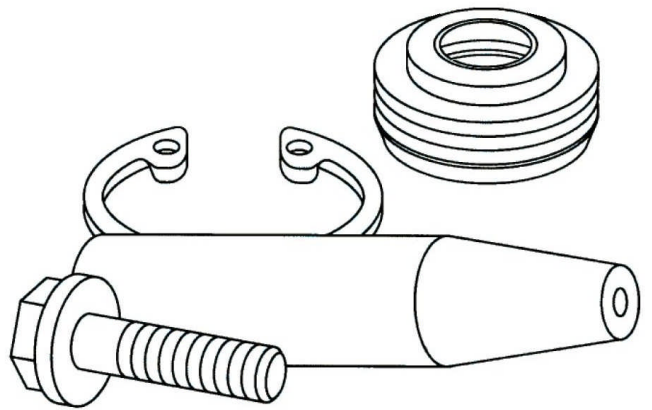
SHIMS	
38266	Compressor Clutch Shim thickness 0.2 mm (Bag with 20 pieces)
38267	Compressor Clutch Shim thickness 0.4 mm (Bag with 20 pieces)
38268	Compressor Clutch Shim thickness 0.5 mm (Bag with 20 pieces)

**38251**



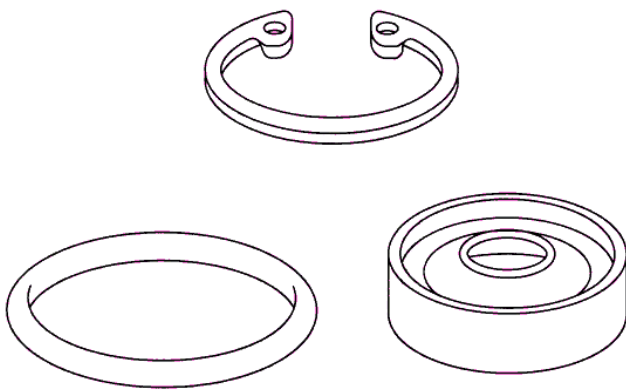
DIESEL KIKI (ZEXEL) DKS15CH DENSO 7SB16C  
SANDEN SD5H13 / SD708 / SD709 SD7B10 / SD7H13 / SD7H15  
SD7V16

**38252**



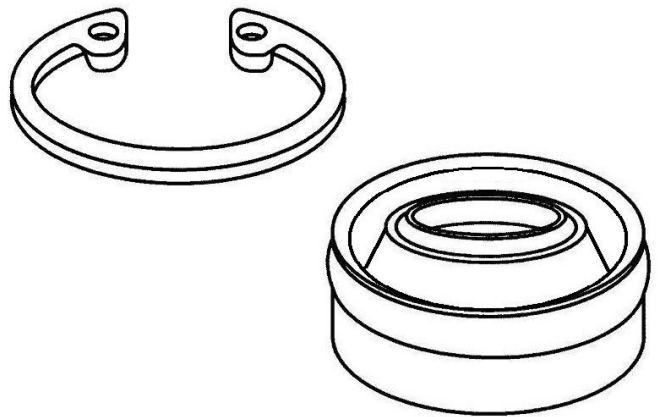
FORD FS10 / FX15

**38253**



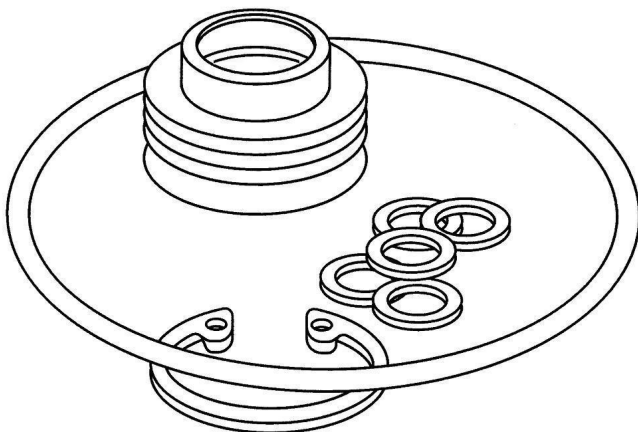
GM DA6 / HR6 / HR6HE / R4 (LATE) / V5

**38254**



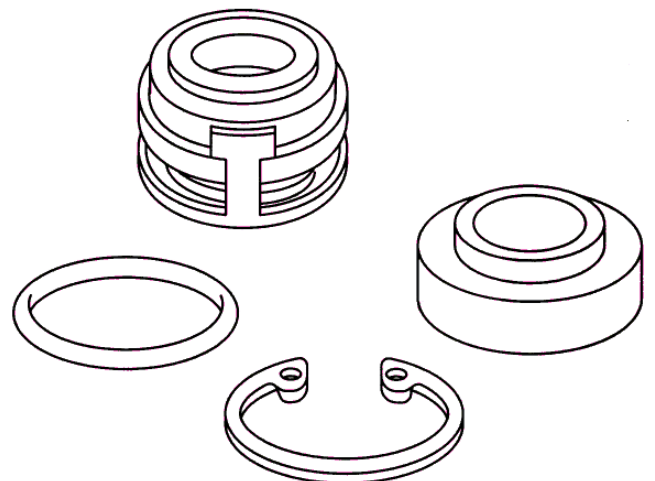
MITSUBISHI FX105V / FX80 / MSC105CVS / MSC90C  
SANDEN TR70 / TR90 / TR105

**38255**



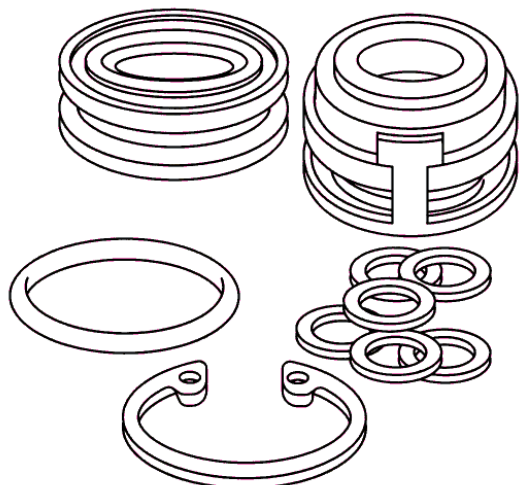
DENSO 10PA15C / 10PA17C

**38256**



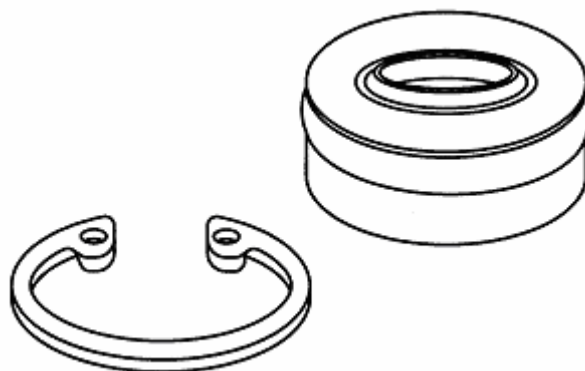
SANDEN SD507 / SD510 / TR80

**38257**



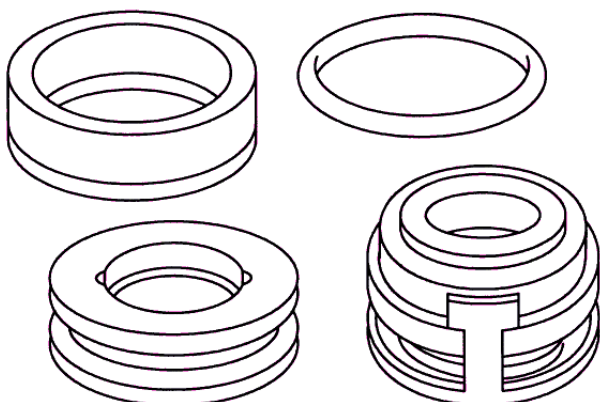
FORD FS6 CHRYSLER C171 / A590  
DENSO 10P08E / 10P15C / 10PA15C / 10PA17C  
DENSO 10P13C / 10P17C AUDI & MERCEDES

**38258**



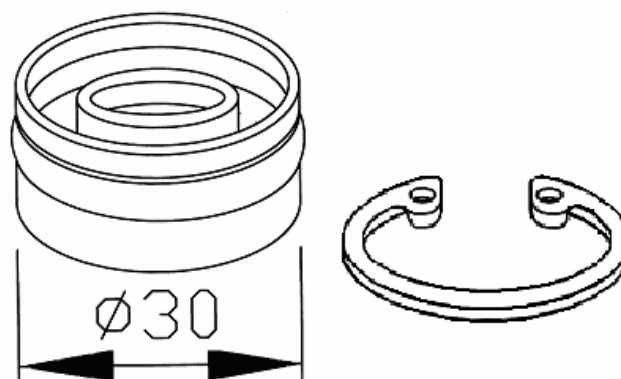
CHRYSLER 6C17 – LIP SEAL  
DENSO 10P15C – LIP SEAL  
SEIKO SEIKI SS170PSS – LIP SEAL

**38259**



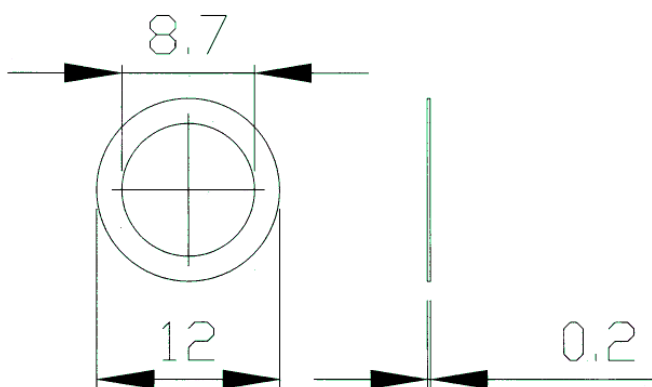
SANDEN SD708 / SD7H13 / SD7H15

**38265**



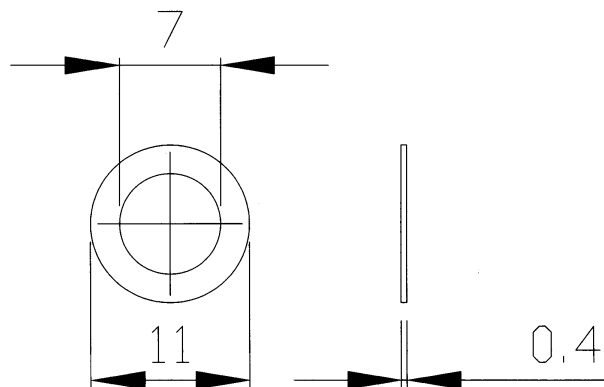
ZEXEL, NIHON DKV14C / DKV14D

**38266**



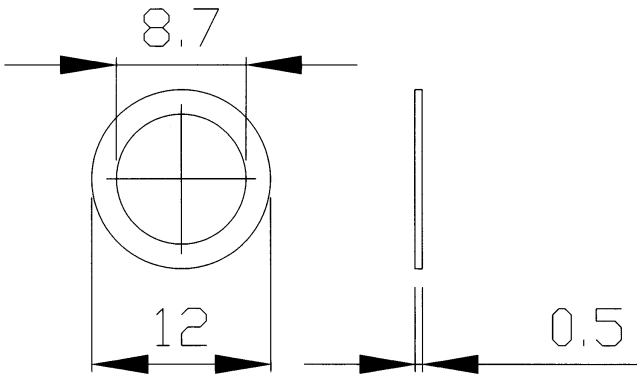
CLUTCH SHIM

**38267**



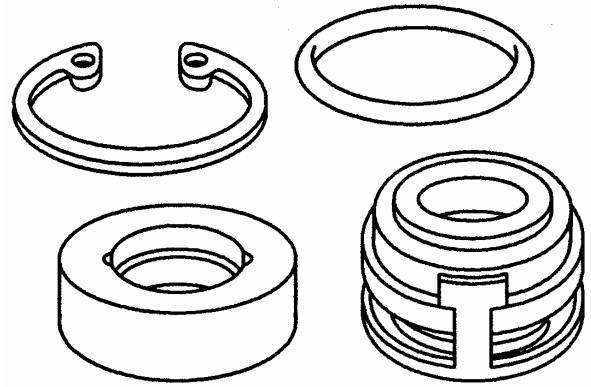
CLUTCH SHIM

38268



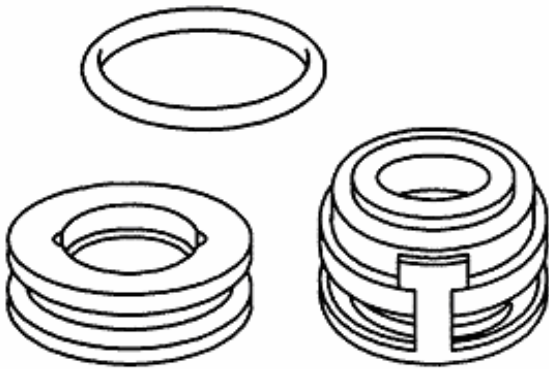
CLUTCH SHIM

38270



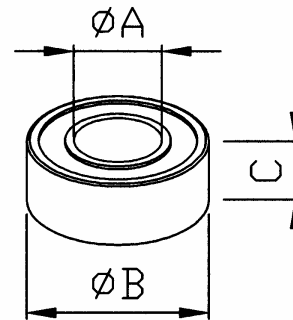
DIESEL KIKI (ZEXEL) DKS13G / DKS15BH

38271



SANDEN SD505 / SD507 / TR70 / TR90 / TR105  
SANDEN SD5H09 / SD5H11

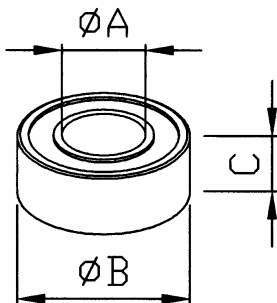
38286



$\phi A$	35
$\phi B$	55
C	20

**BEARING** DIESEL KIKI (ZEXEL) DKS13G / DKS15BH / DKV14D  
SANDEN SD505/SD5H13/SD708/SD709/SD6V12/SD7V16/TR90  
NIHON DKV14D

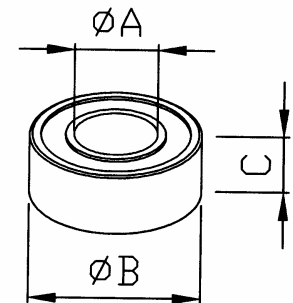
38287



$\phi A$	40
$\phi B$	62
C	20/24

**BEARING** CHRYSLER 6C17 / A590 / C171  
FORD FS6 DENSO 6E171 / 6P127 / 6P134 / P148  
MITSUBISHI FX105V TECUMSEH HR980

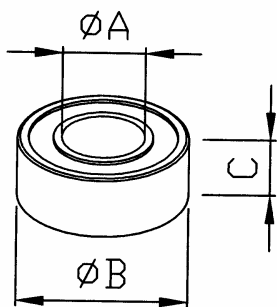
38288



$\phi A$	30
$\phi B$	55
C	23

**BEARING** BEHR / BOSCH  
DIESEL KIKI (ZEXEL) DKS16H  
FORD FS10 / FX15

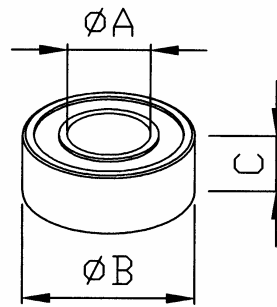
38289



$\phi A$	40
$\phi B$	62
C	20

BEARING GM A6 / DA6 / HR6 / HR6HE / R4 (LATE) / V5  
KEIHIN 150L / 150R

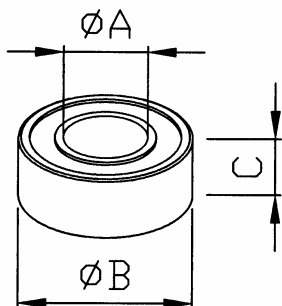
38290



$\phi A$	38
$\phi B$	54
C	17

BEARING DENSO 10PA08E

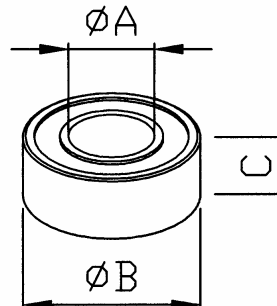
38291



$\phi A$	30
$\phi B$	52
C	22

BEARING DENSO 10PA15C / 10PA17C / 10PA20C / TV12C /  
TV12EC / TV12SC

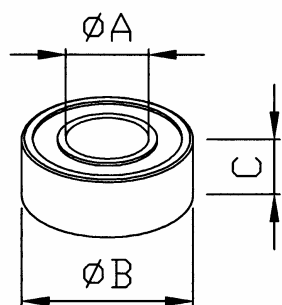
38292



$\phi A$	40
$\phi B$	57
C	20/24

BEARING DENSO 10P17C

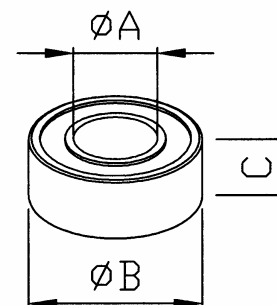
38293



$\phi A$	40
$\phi B$	62
C	24

BEARING HITACHI A5000 / MJS170 MITSUBISHI MSC90C  
ZEXEL NIHON DKV14C DENSO 10P13C / 10P15C / 10P17C  
SANDEN SD507 / SD508 / SD510 / SD7H13 / SD7H15

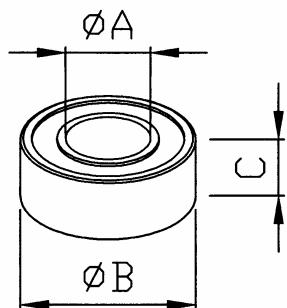
38294



$\phi A$	30
$\phi B$	47
C	18

BEARING SANDEN TR70 / TR80

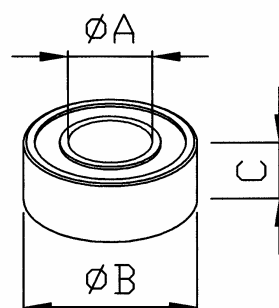
38295



$\varnothing A$	35
$\varnothing B$	50
$C$	20

BEARING SANDEN SD7B10 / TR90 / TRF090 / TR105

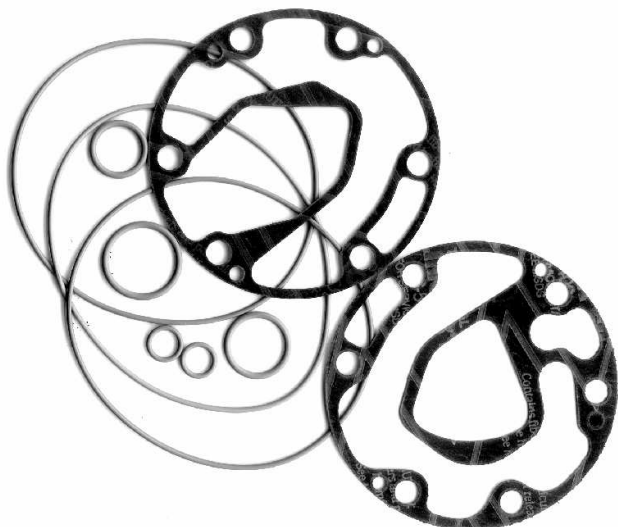
38296



$\varnothing A$	35
$\varnothing B$	62
$C$	28

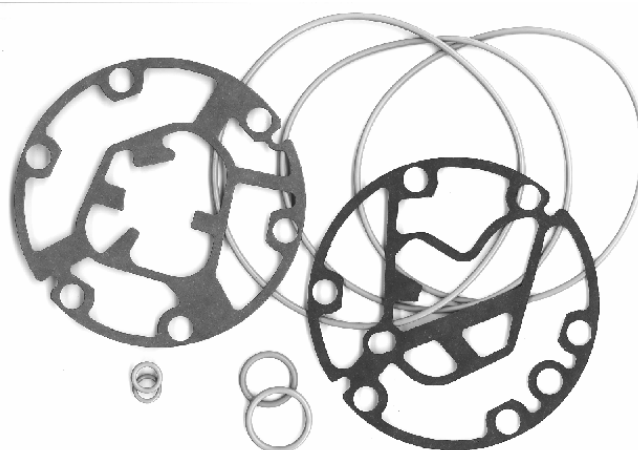
BEARING DIESEL KIKI (ZEXEL) DKS15BH / DKS15CH

38297



DIESEL KIKI (ZEXEL) DKS15BH

38298



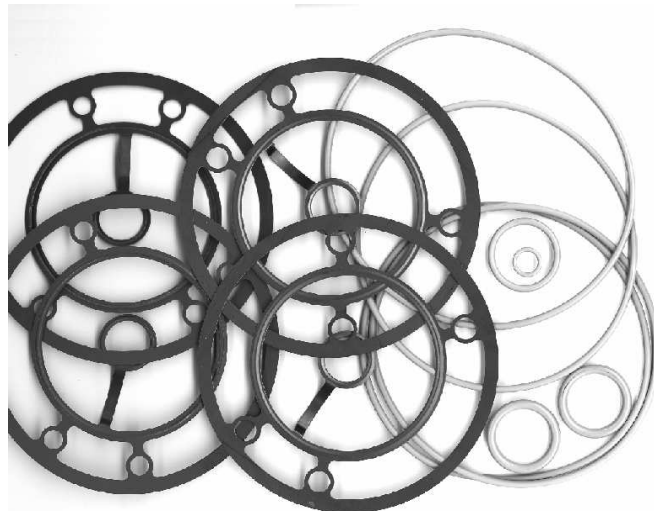
DIESEL KIKI (ZEXEL) DKS15CH

38299



FORD FS10 / FX15

38300



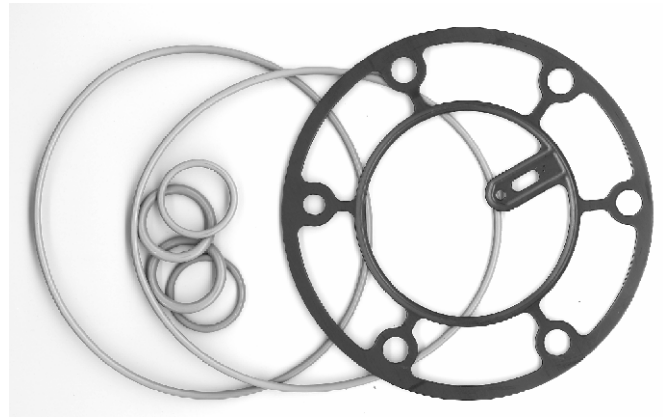
GM DA6 / HR6 / HR6HE

**38301**



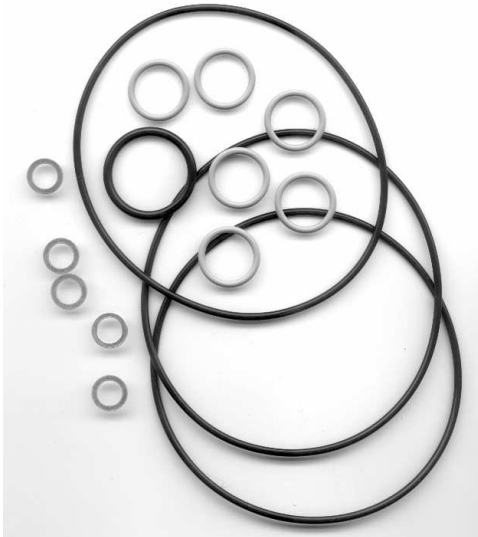
GM R4

**38302**



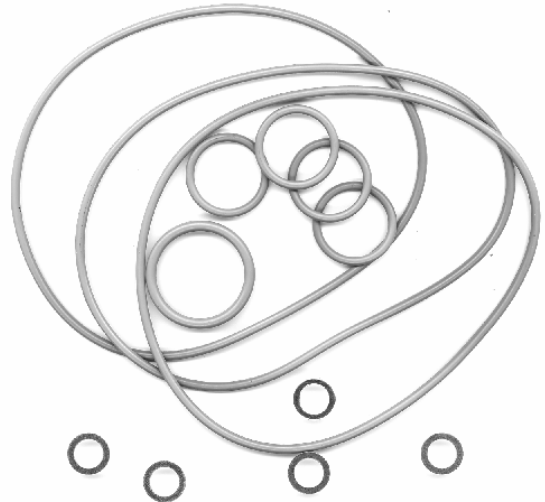
GM V5

**38303**



DENSO 10P08E

**38304**



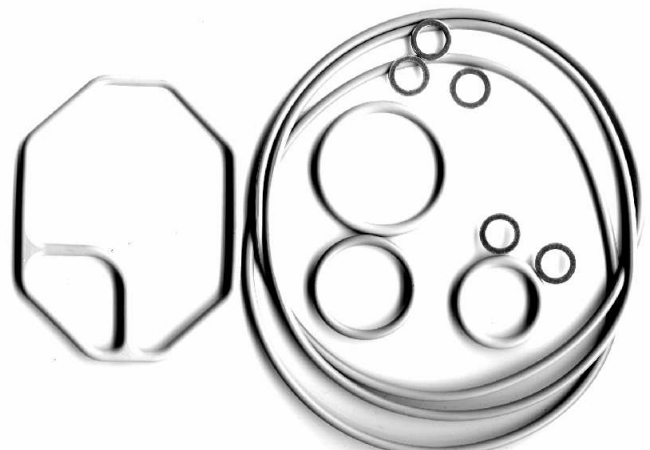
DENSO 10P13C / 10P15C

**38305**



DENSO 10P17C

**38306**



DENSO 10PA15C / 10PA17C



**38307**



SANDEN SD505 / SD507 / SD510  
SANDEN SD5H09 / SD5H11 / SD5H13 / SD5H14

**38308**



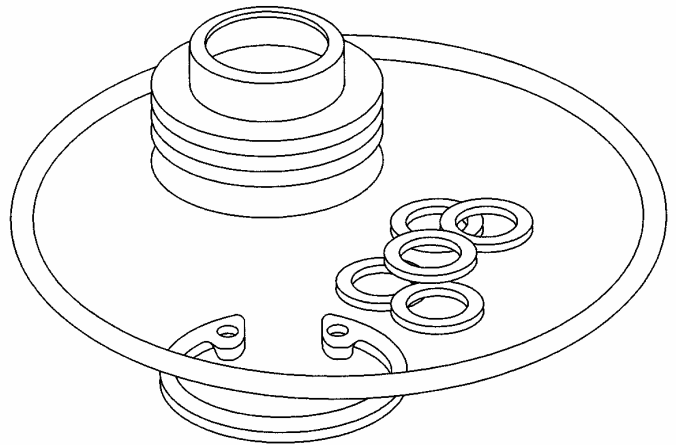
SANDEN SD708 / SD709 / SD7H15

**38309**



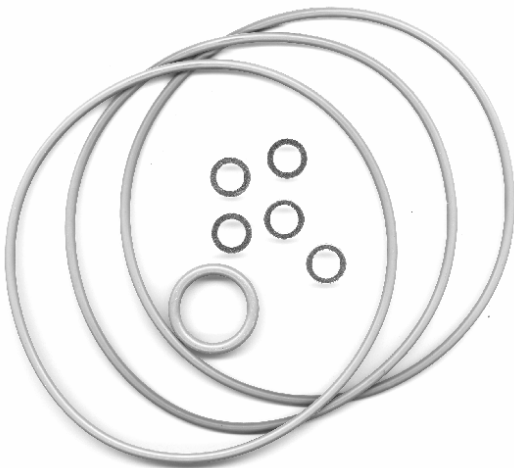
SANDEN SD7B10

**38313**



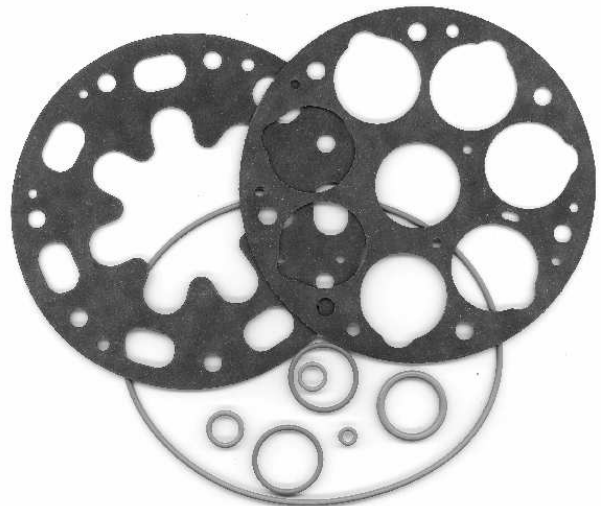
DENSO 10PA20C

**38314**



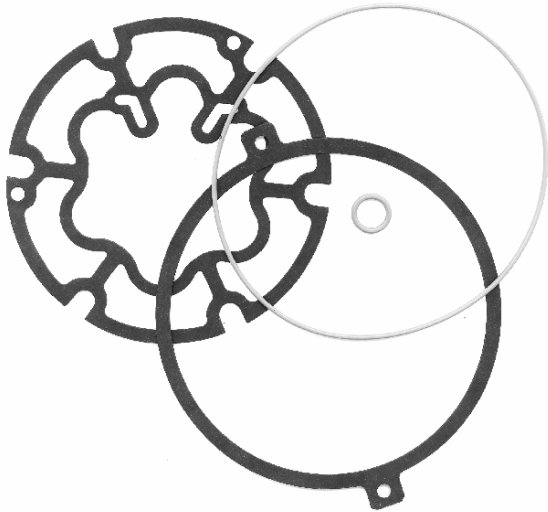
DENSO 10PA20C

**38315**



SANDEN SD7V16 (FIBER)

**38316**



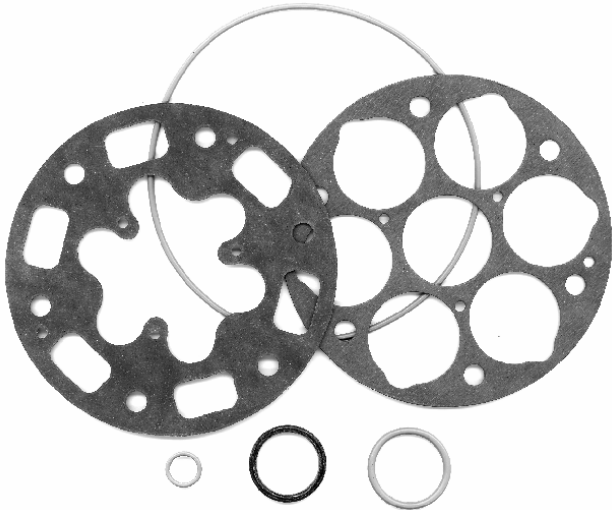
GM / DELPHI CVCC

**38317**



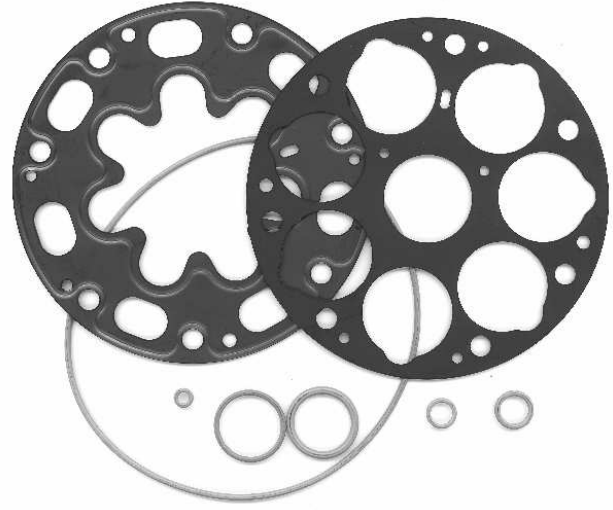
DENSO 7SB16C

**38319**



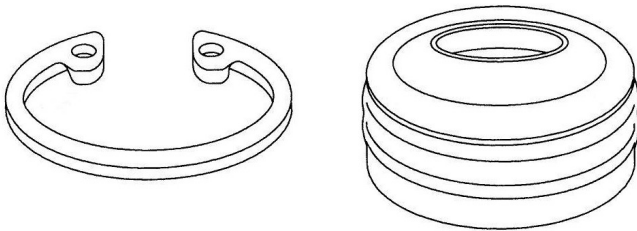
SANDEN SD6V12

**38320**



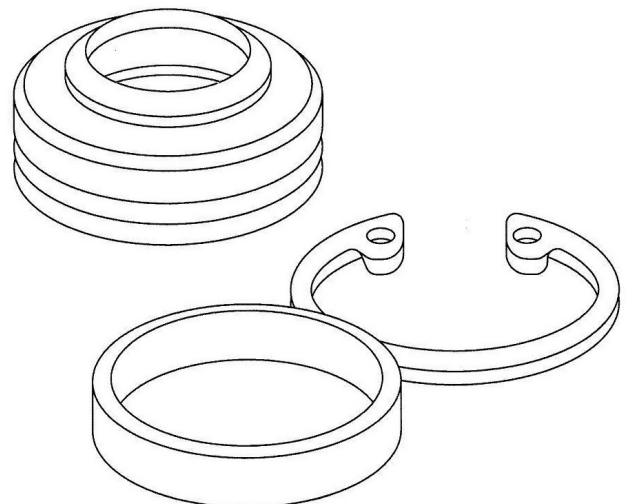
SANDEN SD7V16 (METAL)

**38321**



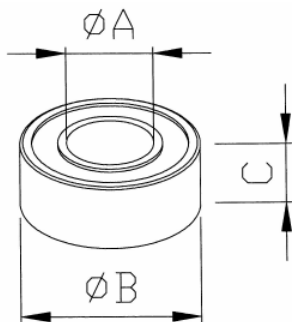
DENSO 7SBU16C

**38340**



SELTEC TAMA TM08 / TM13 / TM15 / TM16  
GM CVCC / V5  
DAEWOO V5

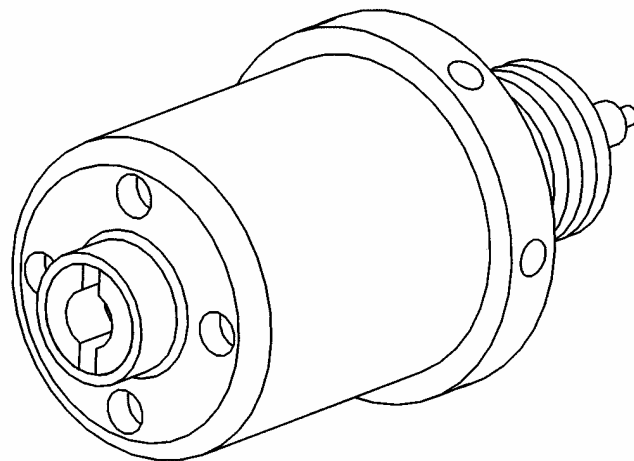
38343



$\phi A$	35
$\phi B$	52
C	22

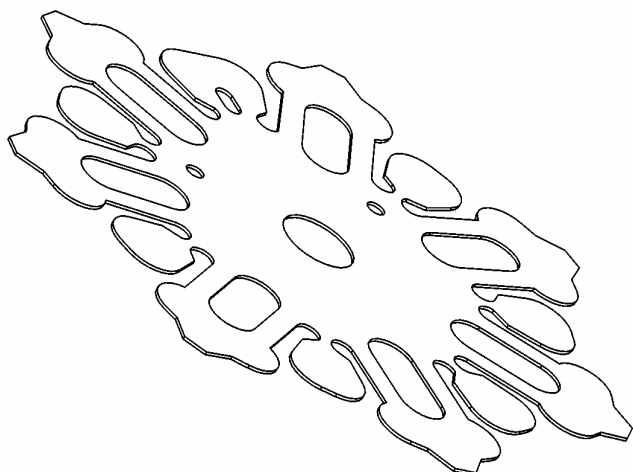
BEARING DENSO 7SB16C  
CALSONIC 6CA17A / 6CA17C

38380



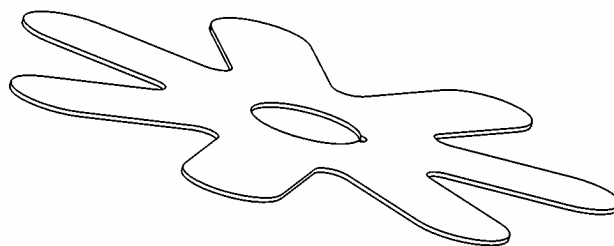
CONTROL VALVE SD7V16

38381



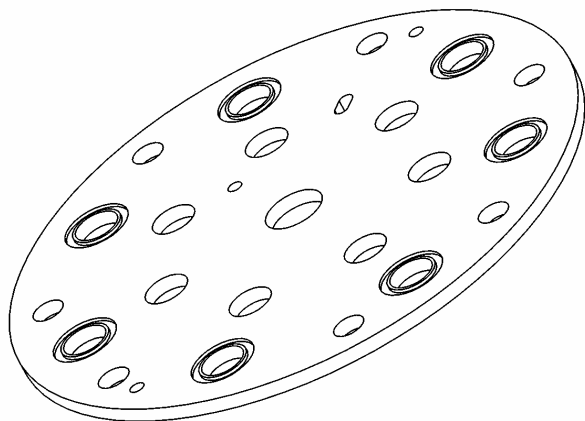
SUCTION REED SD7V16

38382



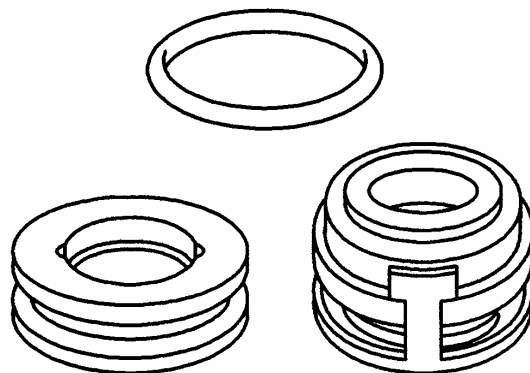
DISCHARGE REED SD7V16

38383



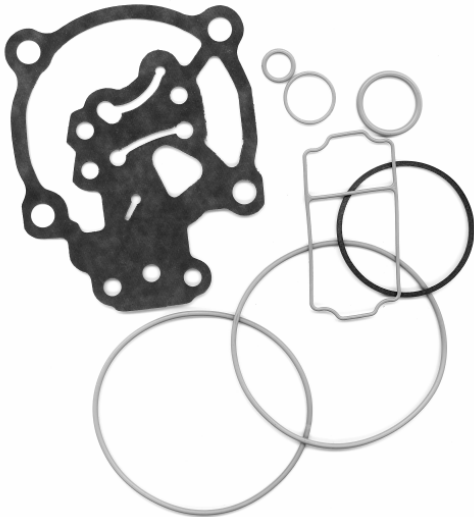
VALVE BASE PLATE SD7V16

38407



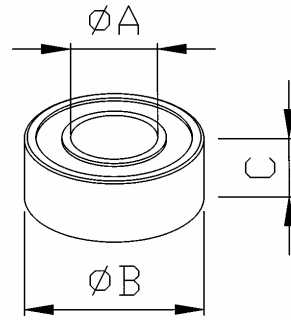
MATSUSHITA / PANASONIC N1300 / N1301 / SA1150AE  
SA11A0 / H12 / S1150X3

38408



MATSUSHITA / PANASONIC SA1150AE / SA11A0 / H12

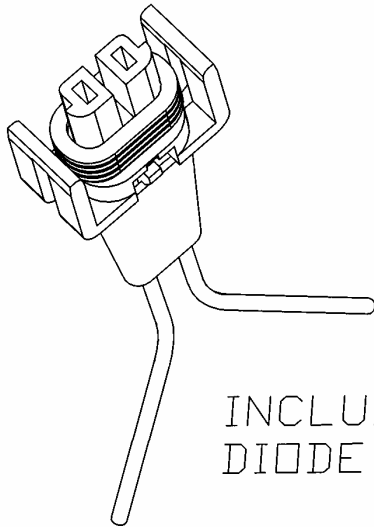
38409



$\phi A$	32
$\phi B$	55
C	23

BEARING MATSUSHITA / PANASONIC N1300 / N1301 / SA1150AE SA11A0 / H12 / S1150X3

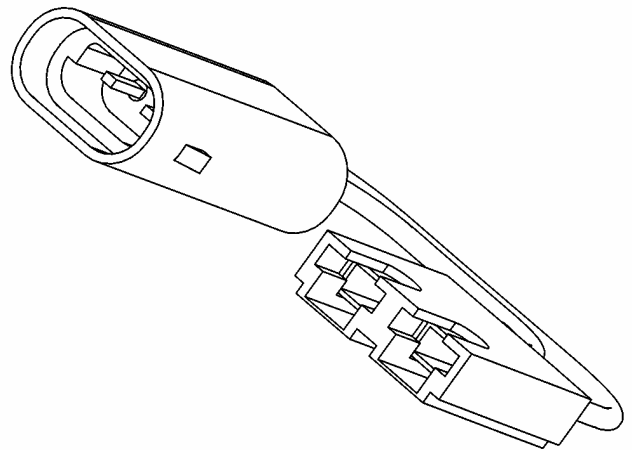
38410



INCLUDING  
DIODE

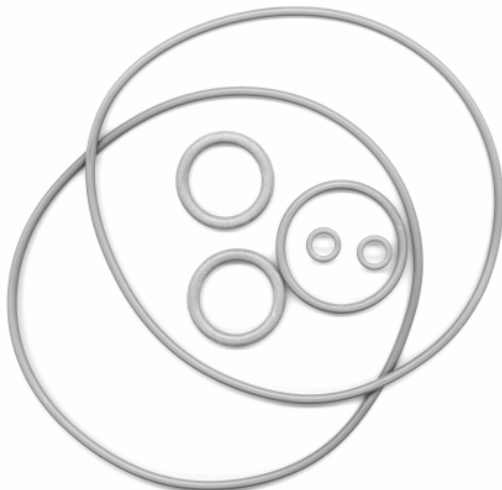
CONNECTER GM

38411



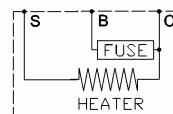
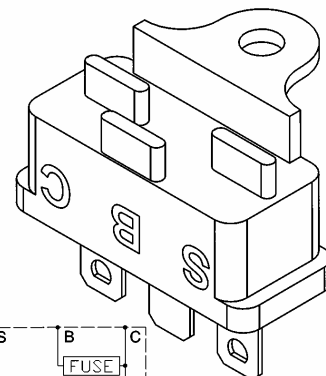
ADAPTER GM PLUG TO SPADE 6.3MM

38412



GM A6

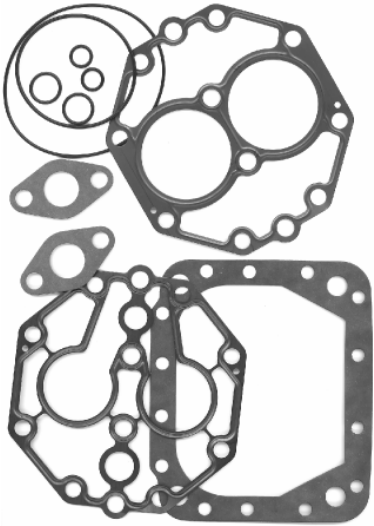
38413



S to Superheat Switch  
B to AC Switch  
C to Compressor Coil

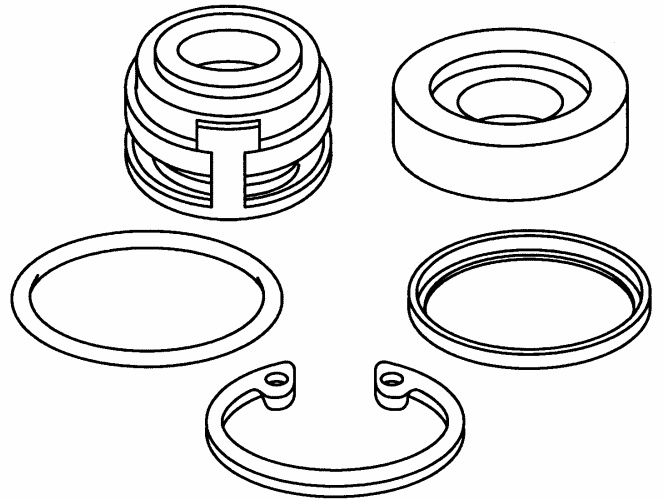
THERMAL FUSE

**38414**



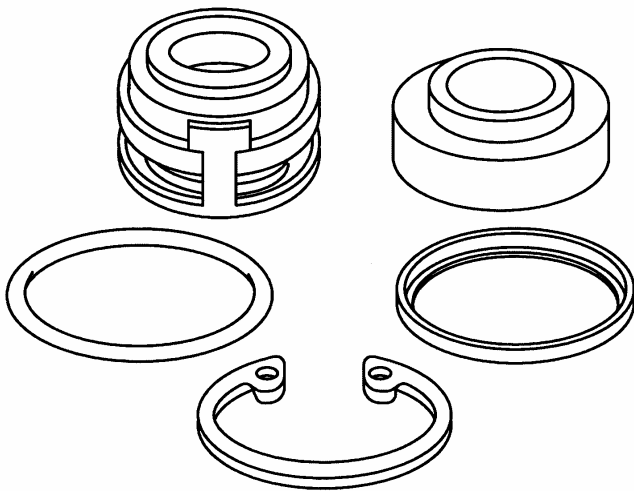
YORK 206 / 209 / 210

**38418**



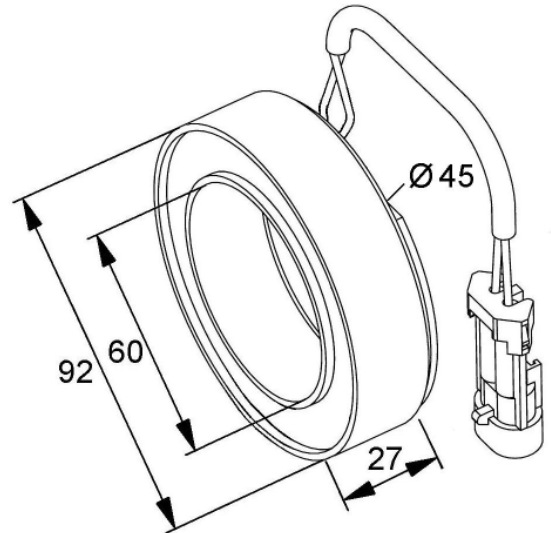
GM A6 CERAMIC SEAT

**38419**



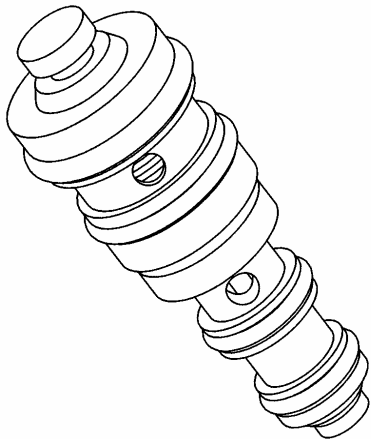
GM A6 METAL SEAT

**38420**



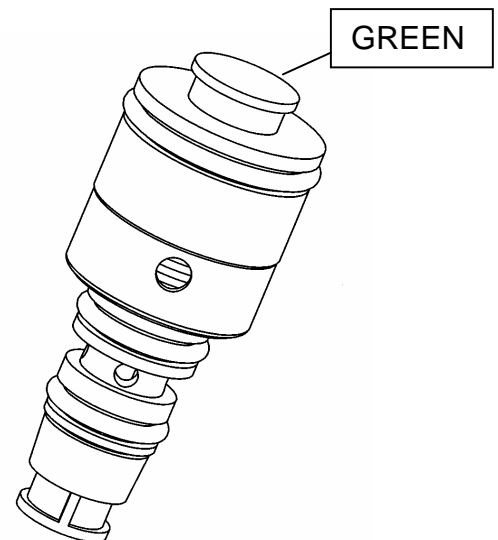
CLUTCH COIL DELPHI CVC  
OPEL / VAUXHALL MODELS

**38421**



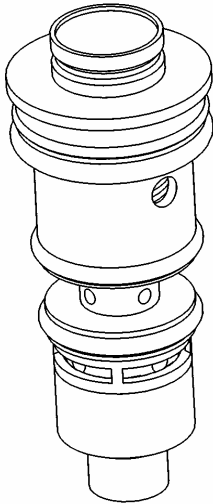
CONTROL VALVE  
DELPHI V5 / CVC  
CALSONIC CWV

**38436**



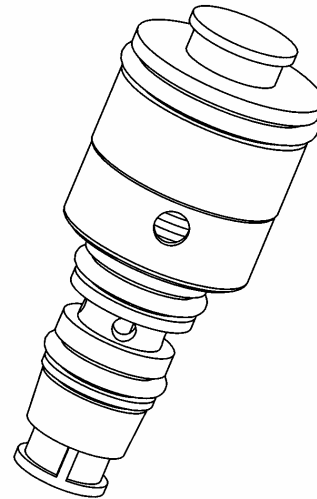
CONTROL VALVE DENSO.....6SE  
MERCEDES MODELS

**38439**



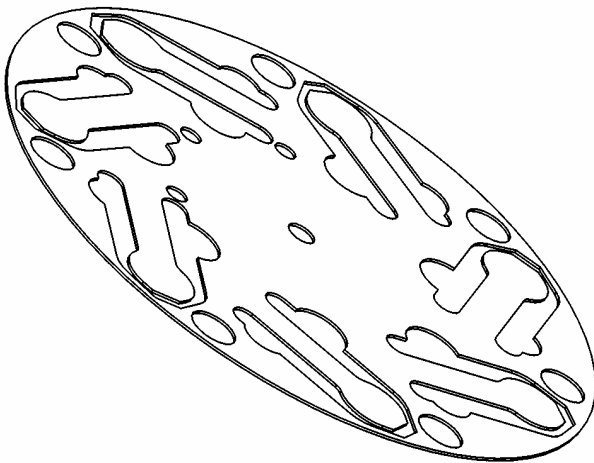
CONTROL VALVE  
DENSO 7SB / 7SBU

**38440**



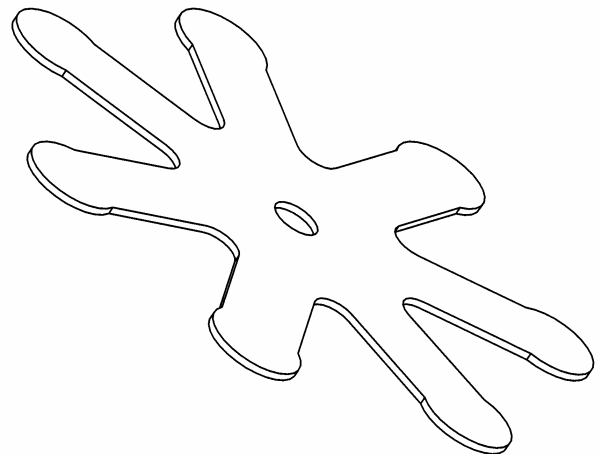
CONTROL VALVE  
DENSO 7SB / 7SBU

**38441**



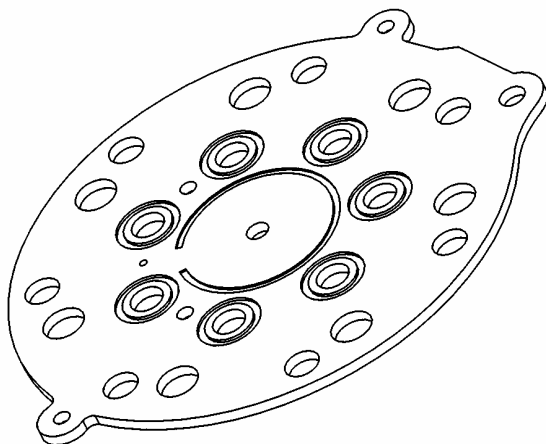
SUCTION REED  
DENSO 7SB16C

**38442**



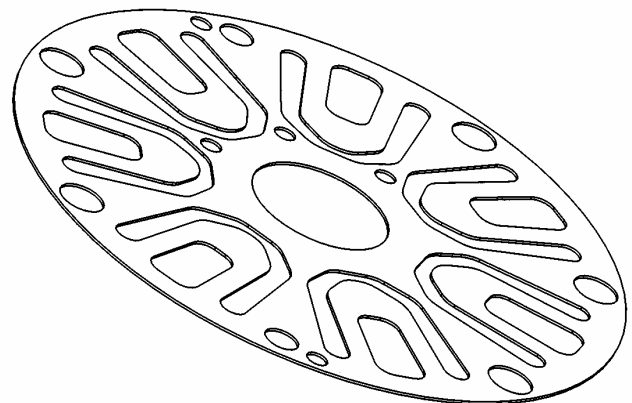
DISCHARGE REED  
DENSO 7SB16C

**38443**



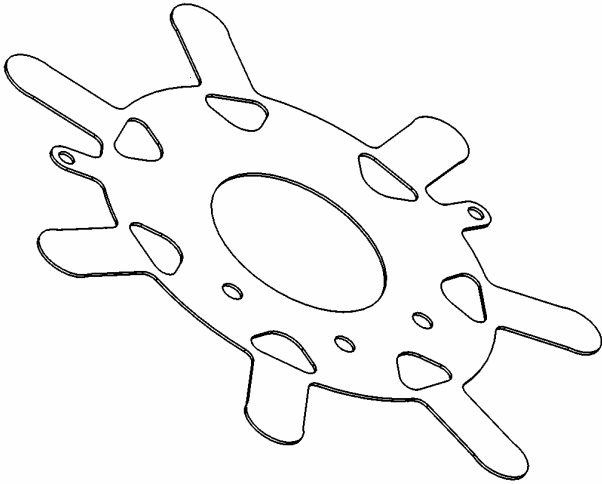
VALVE BASE PLATE  
DENSO 7SB16C

**38444**



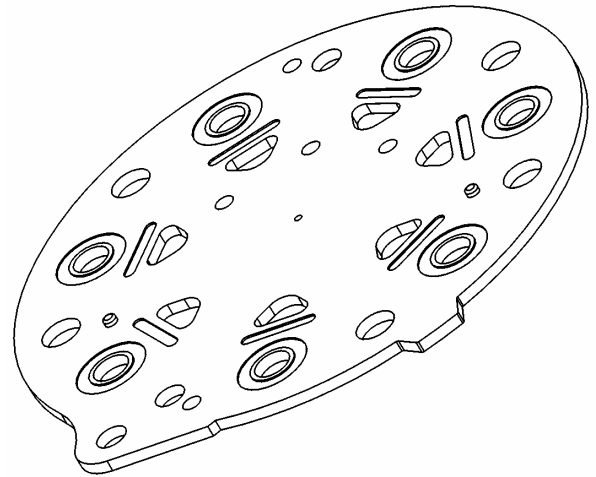
SUCTION REED  
DENSO 7SBU / 7SEU

**38445**



DISCHARGE REED  
DENSO 7SBU / 7SEU

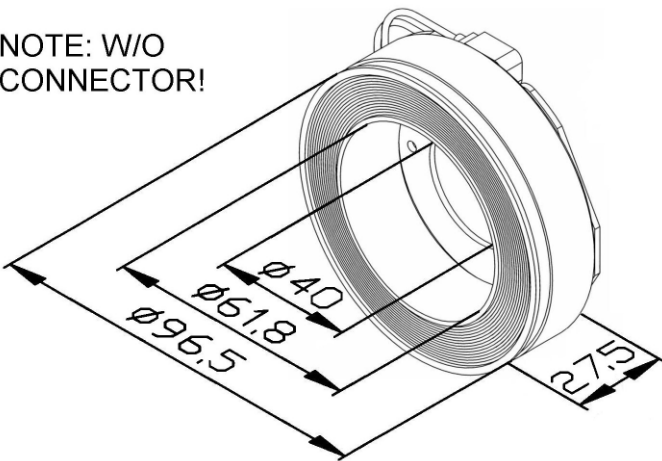
**38446**



VALVE BASE PLATE  
DENSO 7SBU / 7SEU

**38447**

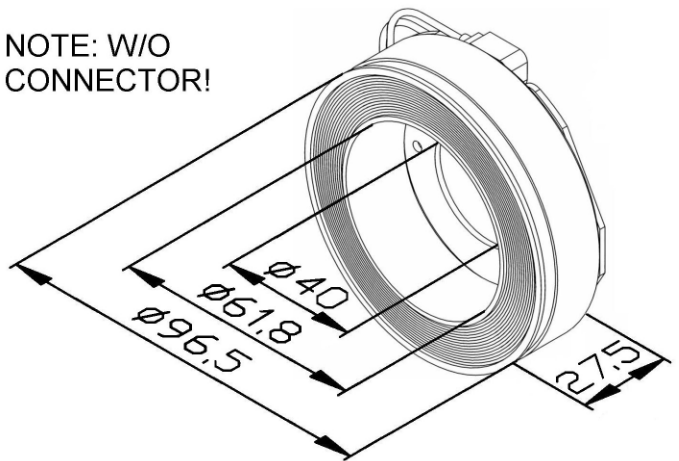
NOTE: W/O  
CONNECTOR!



CLUTCH COIL 12 VOLT  
DENSO 10PA  
DENSO 7SB + 7SBU

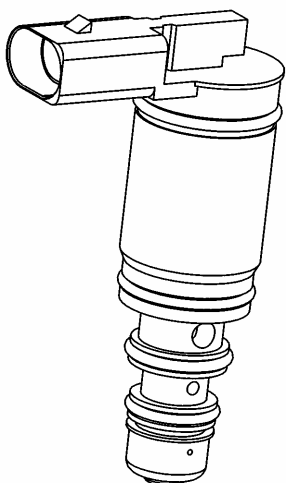
**38448**

NOTE: W/O  
CONNECTOR!



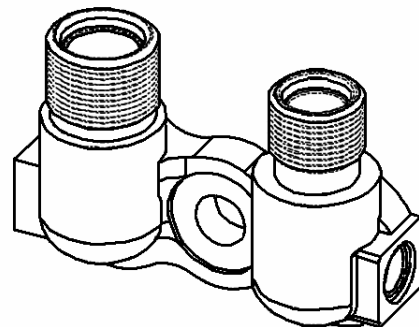
CLUTCH COIL 24 VOLT  
DENSO 10PA  
DENSO 7SB + 7SBU

**38450**



CONTROL VALVE  
DENSO 7SEU16 / 7SEU17  
AUDI / SEAT / SKODA / VW MODELS

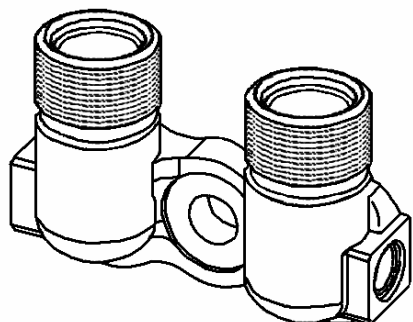
**38453**



VERTICAL O-RING 3/4 (D) & 7/8 (S)

ADAPTOR FOR USE WITH  
UNIVERSAL SANDEN FLX  
COMPRESSOR

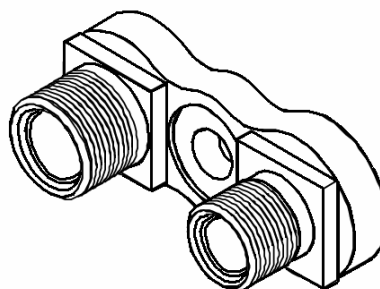
**38454**



VERTICAL TUBE-Ø 1" -14 (D)&(S)

ADAPTOR FOR USE WITH  
UNIVERSAL SANDEN FLX  
COMPRESSOR

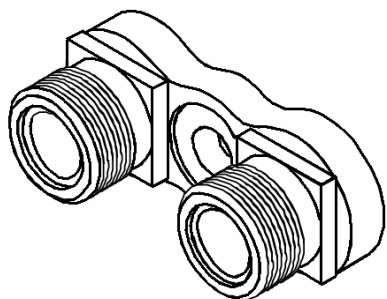
**38455**



HORIZONTAL O-RING 3/4 (D) & 7/8 (S)

ADAPTOR FOR USE WITH UNIVERSAL SANDEN FLX  
COMPRESSOR

**38456**



HORIZONTAL TUBE-Ø 1" -14 (D)&(S)

ADAPTOR FOR USE WITH  
UNIVERSAL SANDEN FLX  
COMPRESSOR

**38460**



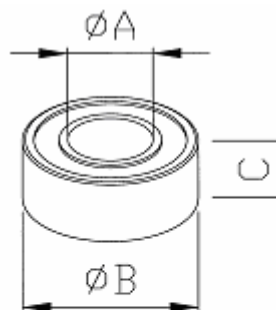
UNIVERSAL ELECTRONIC VALVE  
DENSO 6SEU12, 6SEU16, 7SEU16, 7SEU17

**38461**



UNIVERSAL ELECTRONIC VALVE  
DENSO 5SE09C, 5SE12C

**38462**



ØA	35
ØB	52
C	12

**BEARING DENSO 6SEU16 / 7SE16**



**38463**



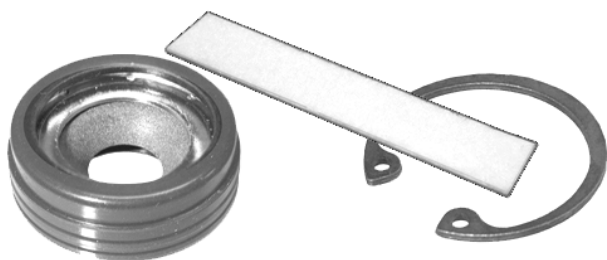
SEIKO SEIKI SS170PSS – CARBON SEAL

**38464**



FORD SCROLL  
MITSUBISHI FX105V / FX80 / FXA105/MS105/MS190  
VISTEON HS090

**38465**



CALSONIC CWV  
DENSO 6SEU12 / 6SEU16 / 7SE16 /  
7SEU16

**38466**



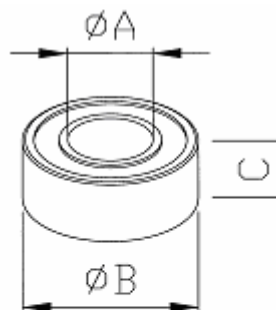
DELPHI CVC125 / CVC135

**38467**



DENSO 10S11 / 10S13 / 10S15 / 10S17

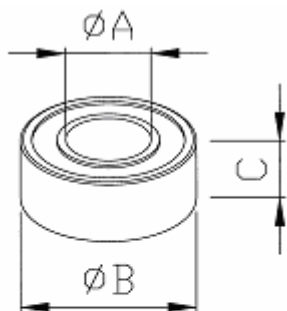
**38468**



øA	35
øB	52
C	20

BEARING DENSO 7SE16 / SC08

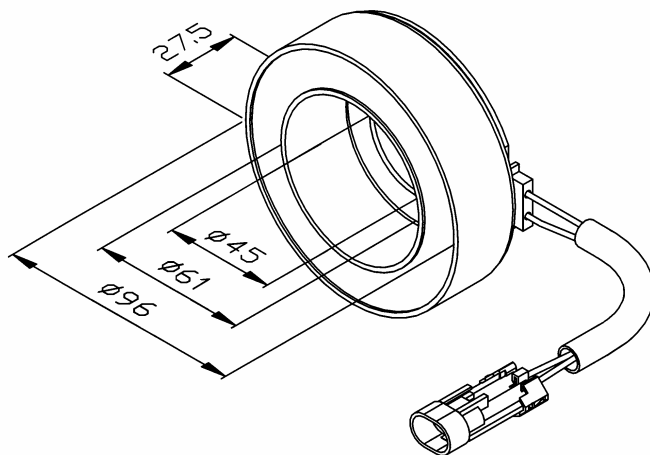
38469



ØA	30
ØB	52
C	20

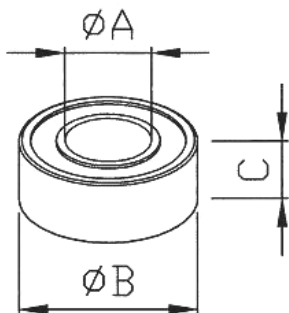
BEARING DENSO 10S11 / 10S13 / SCS06

38470



CLUTCH COIL SANDEN SD7V16  
OPEL / VAUXHALL MODELS

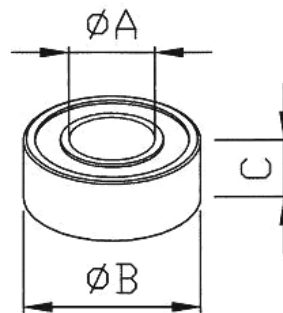
38471



ØA	30
ØB	47
C	12

BEARING DENSO SC06

38472



ØA	30
ØB	47
C	20

BEARING DENSO SC06

38473



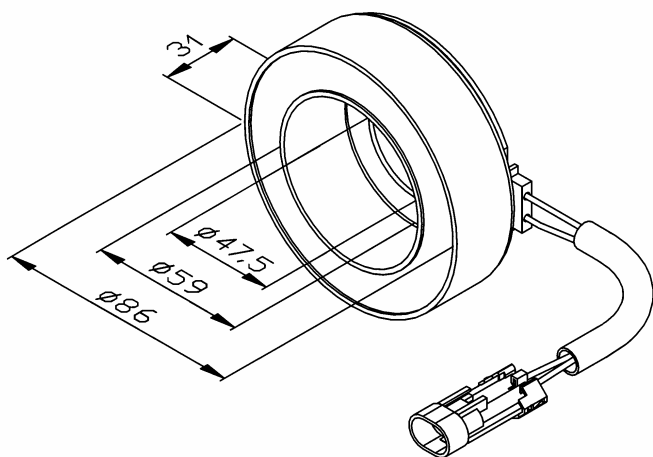
CLUTCH HUB  
DENSO 6SEU / 7SEU

38474



CLUTCH HUB  
DENSO 6SEU / 7SEU

**38475**



CLUTCH COIL SANDEN SD6V12  
OPEL / VAUXHALL MODELS